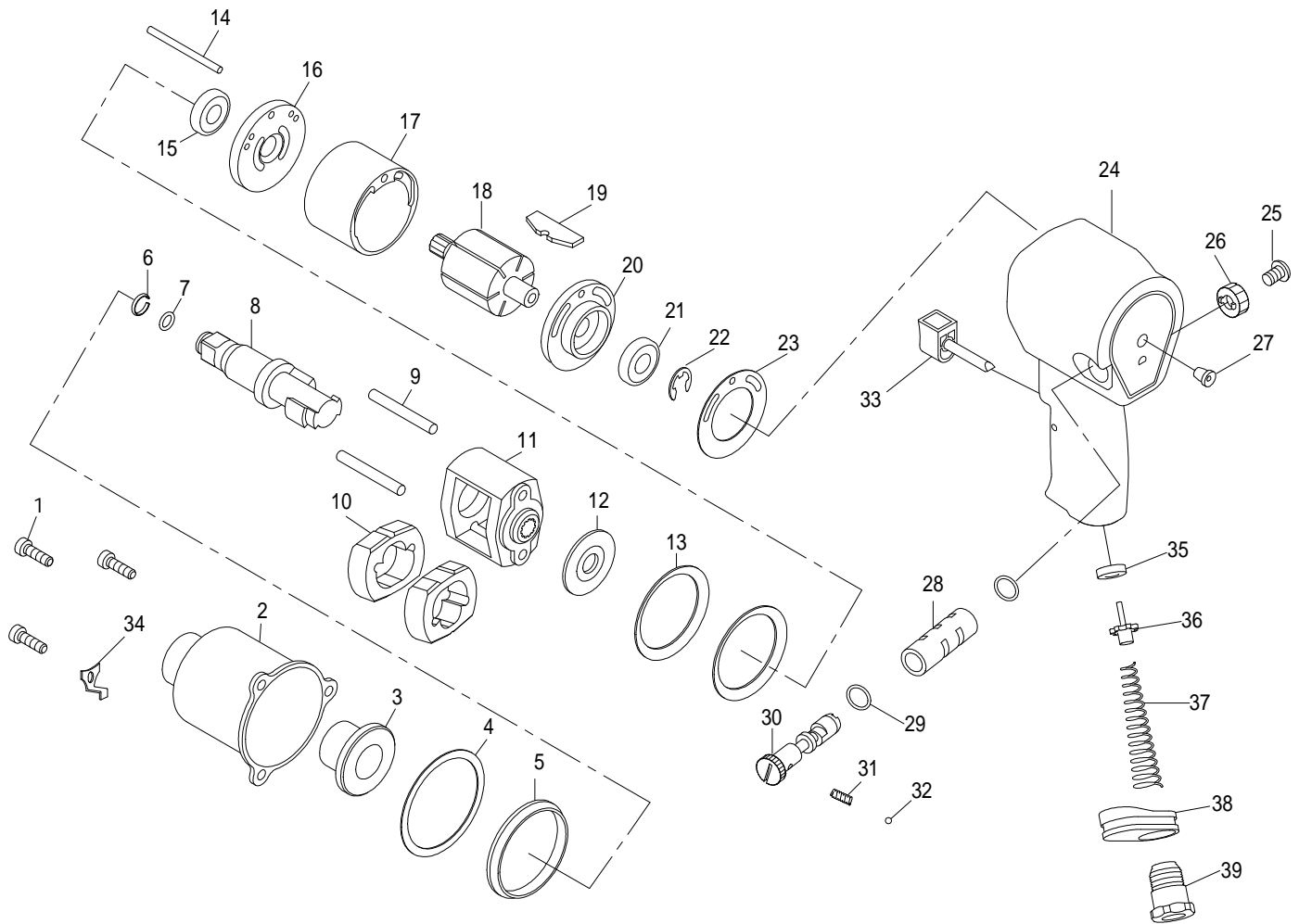




GISON Pneumatic Tools

GW-19S 1/2" Air Impact Wrench (handle Exhaust)



PARTS LIST

✳ :Consuming Part

| Item No. | Part No. | Description | Qty. | Item No. | Part No. | Description | Qty. |
|----------|----------|----------------------|------|----------|----------|--------------------|------|
| 1 | 19S001 | Screw | 3 | 21 | 19S021 | Ball Bearing | 1 |
| 2 | 19S002 | Clutch Housing | 1 | 22 | 19S022 | E-Ring | 1 |
| 3 | 19S003 | Anvil Bushing | 1 | 23 | 19S023 | End Plate Gasket | 1 |
| 4 | 19S004 | Front Gasket | 1 | 24 | 19S024 | Motor Housing | 1 |
| 5 | 19S005 | Clutch Housing Pilot | 1 | 25 | 19S025 | Screw | 1 |
| 6 | 19S006 | Anvil Collar | 1 | 26 | 19S026 | Reverse Valve Knob | 1 |
| 7 | 19S007 | O-Ring | 1 | 27 | 19S027 | Grease Fitting | 1 |
| 8 | 19S008 | Anvil | 1 | 28 | 19S028 | Valve Sleeve | 1 |
| 9 | 19S009 | Hammer Pin | 2 | 29 | 19S029 | O-Ring | 2 |
| 10 | 19S010 | Hammer Dog | 2 | 30 | 19S030 | Reverse Valve | 1 |
| 11 | 19S011 | Hammer Cage | 1 | 31 | 19S031 | Spring | 1 |
| 12 | 19S012 | Hammer Washer | 1 | 32 | 19S032 | Steel Ball | 1 |
| 13 | 19S013 | Disc Spring | 2 | 33 | 19S033 | Trigger | 1 |
| 14 | 19S014 | Cylinder Pin | 1 | 34 | 19S034 | Trigger Fixture | 1 |
| 15 | 19S015 | Ball Bearing | 1 | 35 | 19S035 | Throttle Bushing | 1 |
| 16 | 19S016 | Front End Plate | 1 | 36 | 19S036 | Valve Stem | 1 |
| 17 | 19S017 | Cylinder | 1 | 37 | 19S037 | Spring | 1 |
| 18 | 19S018 | Rotor | 1 | 38 | 19S038 | Muffle Cover | 1 |
| 19 | 19S019 | Rotor Balde | 6 | 39 | 19S039 | Hose Fitting | 1 |
| 20 | 19S020 | Rear End Plate | 1 | | | | |