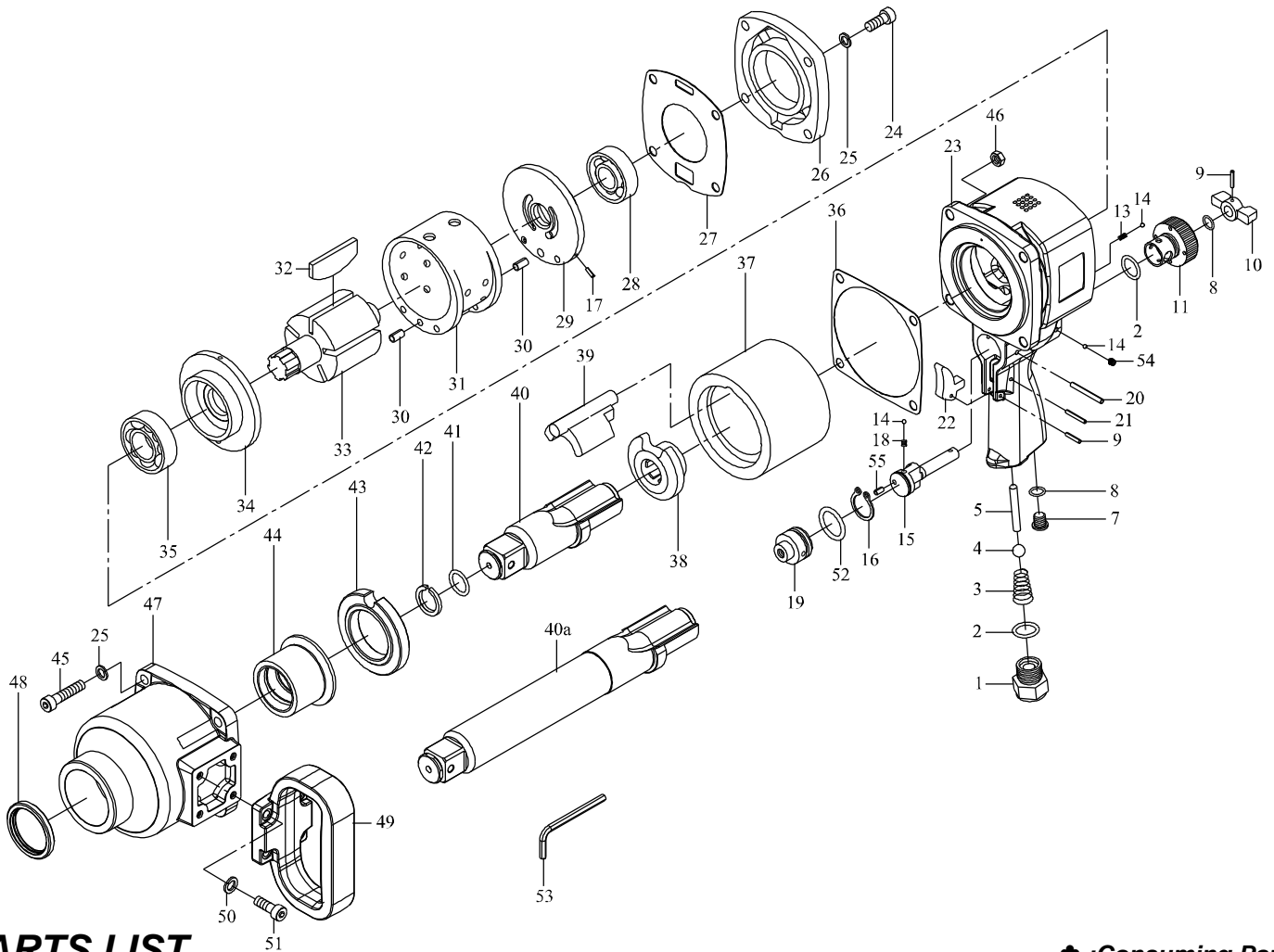




GISON Pneumatic Tools

GW-38P/PL 1" Heavy Duty Air Impact Wrench



PARTS LIST

✳ : Consuming Part

Item No.	Part No.	Description	Qty.	Item No.	Part No.	Description	Qty.
1	38P001	Air Inlet Bushing	1	30	SP004	Spring Pin	2
2	OR014	O-Ring	2	31	380037	Cylinder	1
✳ 3	S010	Spring	1	✳ 32	380040	Rotor Blade	5
✳ 4	380007	Nylon Ball	1	33	380039	Rotor	1
5	38P005	Valve Stem	1	34	380041	Front Plate	1
7	38P007	Screw	1	35	B6205	Ball Bearing	1
8	OR016	O-Ring	2	✳ 36	380045	Front Gasket	1
9	SP015	Spring Pin	2	37	380046	Hammer Cage	1
10	38P010	Reverse Lever	1	38	380047	Cam	1
11	38P011	Air Regulator	1	✳ 39	380048	Hammer	1
13	S011	Spring	1	40	380049	Anvil (Short) for GW-38P	1
✳ 14	380022	Steel Ball	3	40a	380049L	Anvil (Long) for GW-38PL	1
✳ 15	38P015	Reverse Valve	1	41	OR020	O-Ring	1
16	C22	Retaining Ring	1	42	420052	Anvil Collar	1
17	P007	Pin	1	43	380052	Washer	1
✳ 18	S012	Spring	1	44	380053	Anvil Bushing	1
19	38P019	Valve Ceasing	1	45	CAP008	Cap Screw	4
20	SP005	Spring Pin	1	46	NS8	Nut	4
21	SP026	Spring Pin	1	47	380055	Hammer Casing	1
22	38P022	Trigger	1	48	SG006	Oil Seal	1
23	38P023	Body	1	49	380057	Left Grip	1
24	CAP009	Cap Screw	4	50	SPW6	Spring Washer	4
25	SPW5/16	Washer	8	51	CAP011	Cap Screw	4
26	38P026	Housing Cover	1	52	OR035	O-Ring	1
✳ 27	38P027	Rear Gasket	1	53	420068	Hex. Spanner	1
28	B6204Z	Ball Bearing	1	54	MS004	Screw	1
29	380035	Rear Plate	1	55	SP008	Spring Pin	1