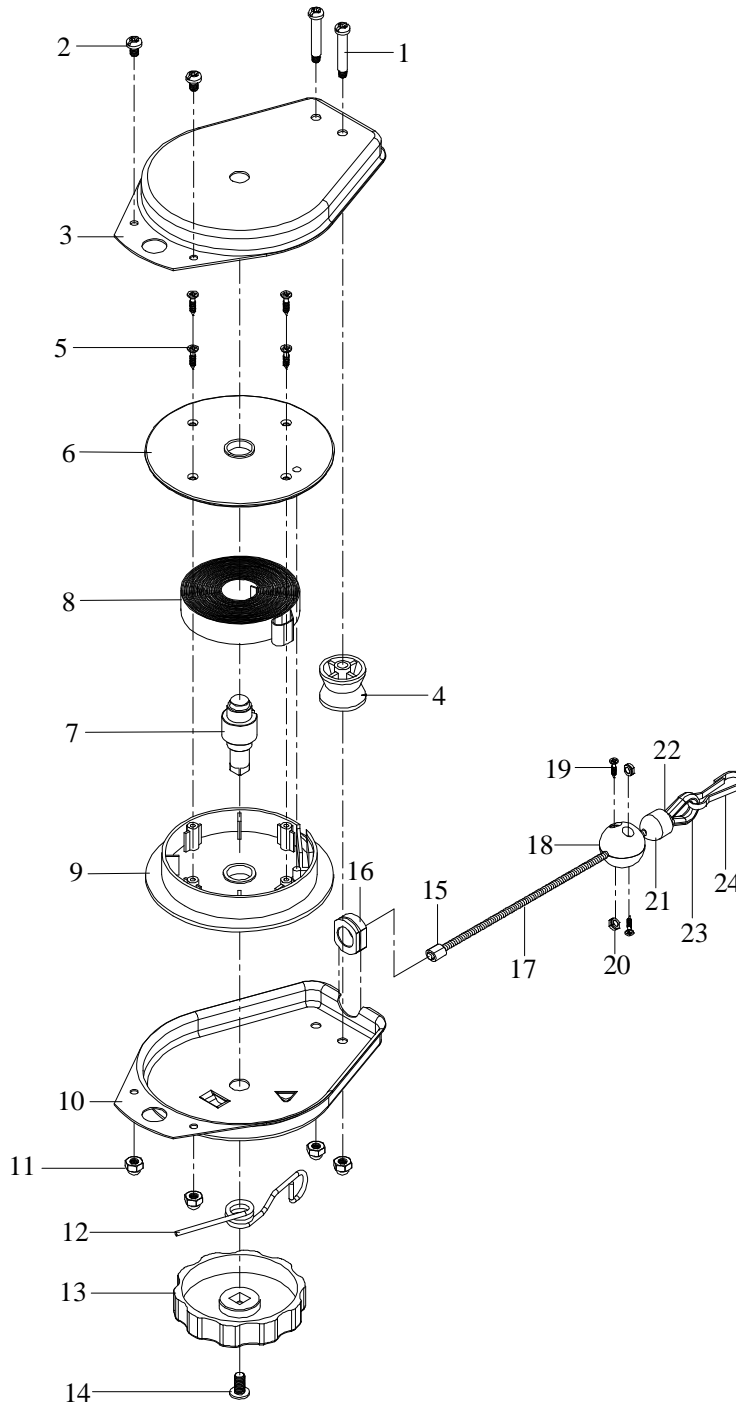




GISON Pneumatic Tools

GP-SB01A/B/C Spring Balancer



PARTS LIST

✦ :Consuming Part

Item No.	Part No.	Description	Qty.	Item No.	Part No.	Description	Qty.
1	SB01001	Long Screw (4.5 m/m)	2	8~9	SB01008~09	Spring Plate Set (No.8~9)	1
2	SB01002	Short Screw (5/32" x 1/4")	1	10	SB01010	Rear Shell	1
3	SB01003	Front Shell	1	11	SB01011	Nut (5/32")	4
4	SB01004	Roller	2	12	SB01012	Locking Spring	1
5	SB01005	Wedge Cover Screw (4 x 1/2")	4	13	SB01013	Adjusting Knob	1
6	SB01006	Spring Cover	1	14	SB01014	Screw (3/16" x 3/8")	1
7	SB01007	Shaft	1	15~24	SB01015~24	Wire Rope Set (No.15~24)	1