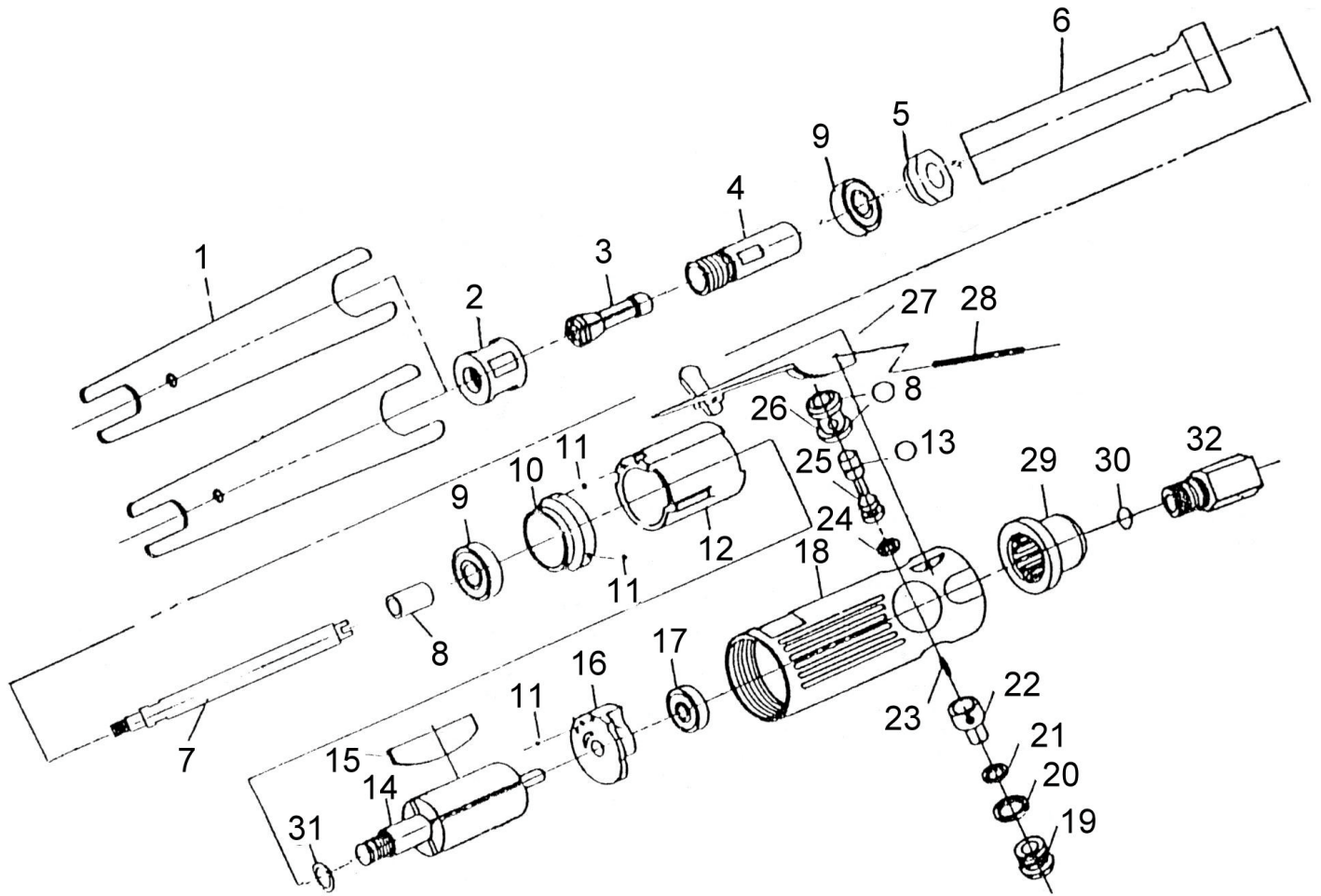




GISON Pneumatic Tools

GP-824EA Air Extension Die Grinder



PARTS LIST

✳ : Consuming Part

Item No.	Part No.	Description	Qty.	Item No.	Part No.	Description	Qty.
1	824EA01	Double Ended Spanner	2	18	824EA18	Motor Housing	1
2	824EA02	Collet Nut	1	19	824EA19	Valve Screw	1
3	824EA03	Collet	1	20	824EA20	O-Ring	1
4	824EA04	Spindle	1	21	824EA21	O-Ring	1
5	824EA05	Retainer	1	22	824EA22	Air Regulator	1
6	824EA06	Extension Housing	1	23	824EA23	Spring	1
7	824EA07	Extension Bar	1	24	824EA24	O-Ring	1
8	824EA08	Coupling	1	25	824EA25	Throttle Valve	1
9	824EA09	Ball Bearing	2	26	824EA26	Valve	1
10	824EA10	Front End Plate	1	27	824EA27	Safety Throttle Lever / Throttle Lever	1
11	824EA11	Ball	3	28	824EA28	Throttle Lever Pin	1
12	824EA12	Cylinder	1	29	824EA29	Exhaust Deflector	1
13	824EA13	O-Ring	1	30	824EA30	O-Ring	1
14	824EA14	Rotor	1	31	824EA31	Washer	1
15	824EA15	Rotor Blade	4	32	824EA32	Inlet Bushing	1
✳ 16	824EA16	Rear Plate	1				
17	824EA17	Ball Bearing	1				