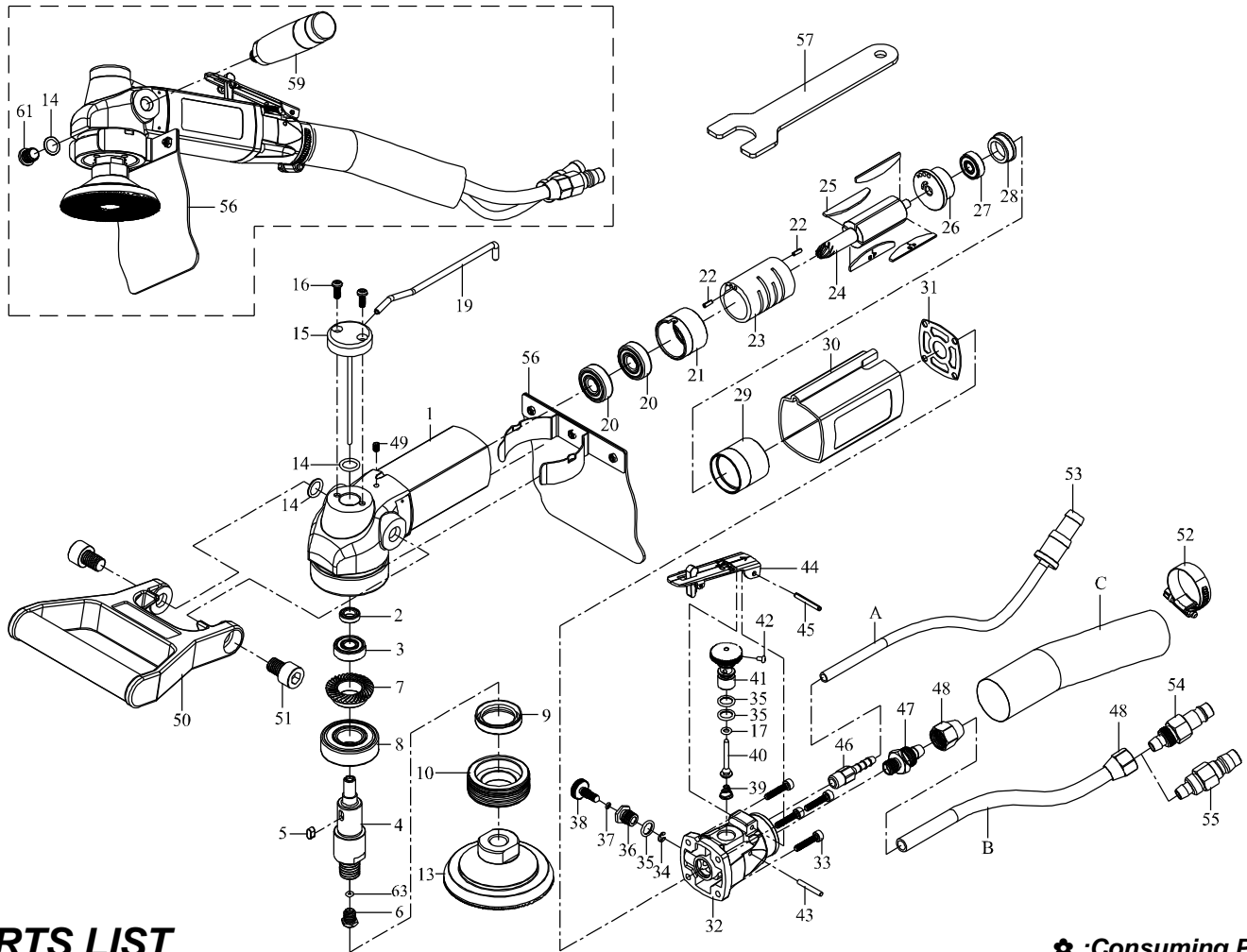




# GISON Pneumatic Tools

## GPW-218L Wet Air Sander (safety Lever, 5000rpm)



### PARTS LIST

✳ : Consuming Part

Item No.	Part No.	Description	Qty.	Item No.	Part No.	Description	Qty.
1	218001	Body	1	34	E3	E-Ring	1
✳ 2	SG009	Oil Seal	1	35	OR030	O-Ring	3
✳ 3	B608LLU	Bearing	1	36	218L013	Bushing	1
4	7W027D	Main Shaft (5/8")	1	37	OR001	O-Ring	1
	7W027E	Main Shaft (M14)		38	218L014	Water Inlet Knob	1
5	KC003	Locking Key	1	39	S046	Spring	1
6	829055W	Water Exit	1	40	218L027	Valve Pin	1
✳ 7	7W029	Spiral Gear	1	41	218L012	Air Plunger	1
✳ 8	B6203LLU	Bearing	1	42	DR001	Riveter	1
✳ 9	SG011-1	Oil Seal	1	43	P011	Pin	1
10	218006	Locking Screw Cap	1	44	829005A	Throttle Lever	1
✳ 13	7W037	Sanding Pad	1	45	SP026	Spring Pin	1
14	OR006	O-Ring	2	46	218011	Water Valve	1
15	7W023A	Water Inlet Transfer Post w/brass tube	1	47	7W042	Air Inlet Nozzle	1
16	MC007	Screw	2	48	7W043	Hose Adaptor	2
17	OR044	O-Ring	1	49	MS010	Set Screw	1
19	218003	Water Inlet Tube	2	50	218005	C Handle	1
✳ 20	B6000LLU	Bearing	2	51	CAP027	Screw	2
21	7W004	Cylinder Cap	1	52	218022	Retainer Ring	1
22	SP014	Spring Pin	2	53	7W019-1	Water Valve	1
23	7W005	Cylinder	1	54	218019	1/4" Plug, Orion Type	1
✳ 24	7W006	Rotor	1	55	218020	1/4" Plug, Nitto Type	1
✳ 25	7W007	Blade	4	56	218025A	Water Shroud	1
26	7W008	Rear Cylinder Cap	1	57	829048	Stop Spanner	1
✳ 27	B626LLU	Bearing	1	59	7W038	Side Handle	1
28	7W010	Dust-Proof Plug	1	61	7W040	Cap Screw	1
29	218017	Cylinder Bushing	1	63	OR052	O-Ring	1
30	218L004	Rubber Sleeve	1	A	218021	Water Hose	1
31	218018	Gasket	1	B	218023	Air Inlet Tube	1
32	218L002	Exhaust Plate Set	1	C	218024	Air Exhaust Tube	1
33	CAP020	Cap Screw	4				