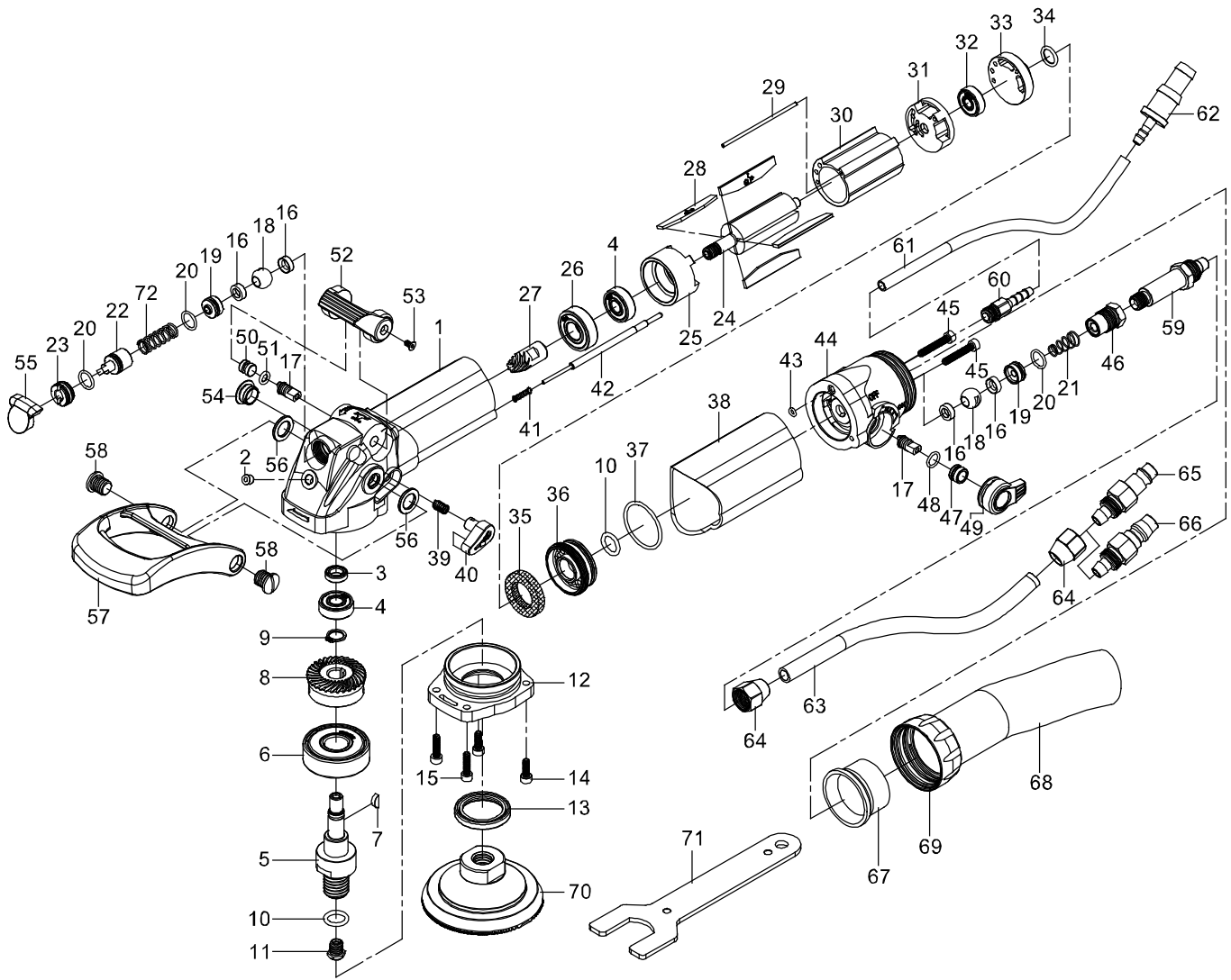




GISON Pneumatic Tools

GPW-221 Wet Air Sander/Polisher (No Spanner)



PARTS LIST

★ :Consuming Part

No.	Part No.	Description	Qty.	No.	Part No.	Description	Qty.	No.	Part No.	Description	Qty.
1	221A10000	Body	1	25	221A50300	Cylinder Cap	1	49	221A20300	Shifting Shaft	1
2	221A10800	Grease Hole	1	26	B6001ZZ	Ball Bearing	1	50	221A20401	Seal Bushing	1
3	SG009	Oil Seal	1	27	221A50500	Pinion Gear	1	51	OR029	O-Ring	1
4	B608LLU	Ball Bearing	2	28	221A50200	Rotor Blade	4	52	221A20400	Water Regulator	1
5	221A60000	Main Shaft(5/8-11)	1	29	P029	Pin	1	53	MT005	Screw	1
	221A60000A	Main Shaft(M14)	1	30	221A50000	Cylinder	1	54	221A20503	Guard	1
6	B6302ZZ	Ball Bearing	1	31	221A50600	Rear Cylinder	1	55	221A20504	Guard	1
7	KR004	Key	1	32	B626LLU	Ball Bearing	1	56	221A10900	Washer	2
8	221A60100A	Bevel Gear	1	33	221A50700	Cylinder Bushing	1	57	221A70000	C-Handle	1
9	C10	Retaining Ring	1	34	OR006	O-Ring	1	58	7W040	Cap Screw	2
10	OR031	O-Ring	2	35	221A10701	Muffler	1	59	221A30100	Air Inlet Nozzle	1
11	829055W	Water Exit	1	36	221A10700	Screw Bushing	1	60	218011	Water Valve	1
12	221A10400	Shaft Protector	1	37	OR065	O-Ring	1	61	2218021	Water Inlet Tube	1
13	SG005	Oil Seal	1	38	221A10100	Rubber Sleeve	1	62	7W019-1	Water Valve	1
14	CAP007	Cap Screw	2	39	S070	Spring	1	63	218023	Air Inlet Tube	1
15	CAP020	Cap Screw	2	40	221A10500	Spindle Locking Button	1	64	7W043	Hose Adaptor	2
16	221A20100	Bushing	4	41	S023	Spring	1	65	218019	1/4" Plug	1
17	221A20200	Shifting Shaft	2	42	221A20301	Pin	1	66	218020	1/4" Plug	1
18	221A20101	Ball Valve	2	43	OR063	O-Ring	1	67	221A20901	Air Exhaust Bushing	1
19	221A20102	Rotary Bushing	2	44	221A20000	Exhaust Plate Set	1	68	218024	Air Exhaust Tube	1
20	OR062	O-Ring	3	45	CAP038	Cap Screw	2	69	221A20900	Screwing Retainer	1
21	S068	Spring	1	46	221A30000	Screw	1	70	7W037	3" Sanding Pad	1
22	221A20500	Shifting Shaft	1	47	221A20302	Air Valve Bushing	1	71	831066	Stop Spanner	1
23	221A20600	Lock Bushing	1	48	OR064	O-Ring	1	72	S041	Spring	1
24	221A50100	Rotor	1								