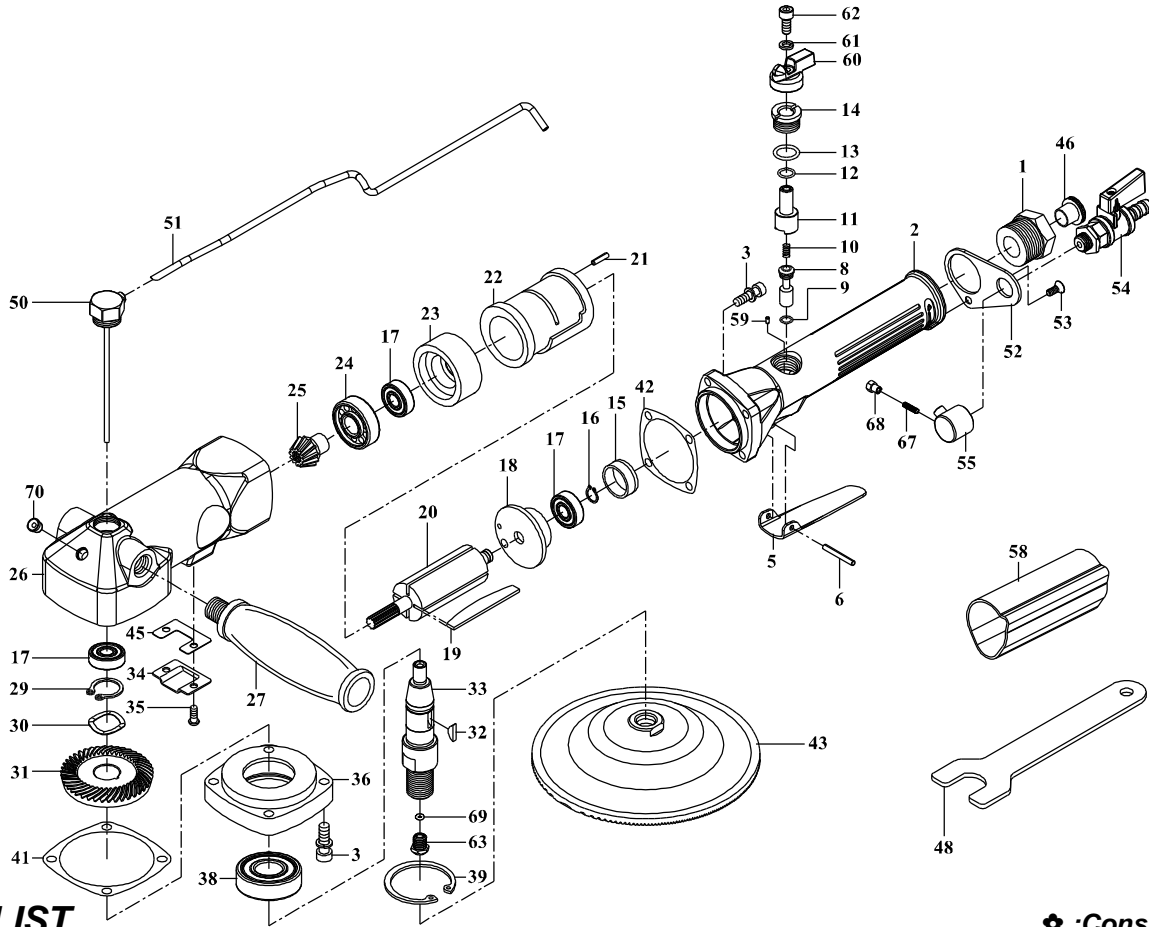




GISON Pneumatic Tools

GPW-211/212 Wet Air Sander/Polisher



PARTS LIST

✧ : Consuming Part

Item No.	Part No.	Description	Qty.	Item No.	Part No.	Description	Qty.
1	829001	Hose Adapter	1	32	KR002	Key	1
2	829002WR	Valve Body	1	33	829033W	Gear Shaft (5/8")	1
3	CAP016	Cap Screw	8		829033WA	Gear Shaft (M14)	
5	829005	Throttle Lever	1		829033WB	Gear Shaft (M16)	
6	SP026	Spring Pin	1	34	829034	Exhaust Deflector	1
8	829008	Valve Stem	1	35	TP4X8	Screw	2
9	OR034	O-Ring	1	36	829036	Housing Cap	1
10	S023	Spring	1	✧ 38	B6203LLU	Ball Bearing	1
11	829011WR	Air Regulator	1	39	R40	Retaining Ring	1
12	OR030	O-Ring	1	✧ 41	829041	Gasket	1
13	OR021	O-Ring	1	✧ 42	829042	Gasket	1
14	829014	Valve Screw	1	43	933059	Pad	1
15	829015	Bearing Rubber Cap	1	45	829045	Gasket	1
16	C8	Retaining Ring	1	46	829046	Plastic Cover	1
✧ 17	B608LLU	Ball Bearing	3	48	829048	Stop spanner	1
18	829018	Rear Plate	1	50	211001A	Water Inlet Transfer Post w/brass tube	1
✧ 19	829019	Rotor Blade	4	51	829056CW	Pipe	1
✧ 20	829020	Rotor (GPW-211)	1	52	829054W	Fixed Plate	1
	830020	Rotor (GPW-212)		53	MC002	Screw	1
21	SP025	Spring Pin	1	54	829058CW	Water Valve	1
22	829022GH	Cylinder	1	55	911045W	Brass Cover	1
23	829023	Front Plate	1	58	829003W	Plastic Sleeve	1
✧ 24	B6201LLU	Ball Bearing	1	59	SP034	Sprint Pin	1
✧ 25	829025	Pinion Gear (GPW-211)	1	60	829057WR	Shifting Knob	1
	830025	Pinion Gear (GPW-212)		61	SPW5	Spring Washer	1
26	829026A	Motor Housing	1	62	CAP005	Cap Screw	1
27	829027	Dead Handle	1	63	829055W	Water Exit	1
29	C17	Retaining Ring	1	67	MS019	Set Screw(M3x12L)	1
30	WW17	Wave Washer	1	68	911051W	Nut	1
✧ 31	829031	Bevel Gear (GPW-211)	1	69	OR052	O-Ring	1
	830031	Bevel Gear (GPW-212)		70	829026E	Grease Hole	1