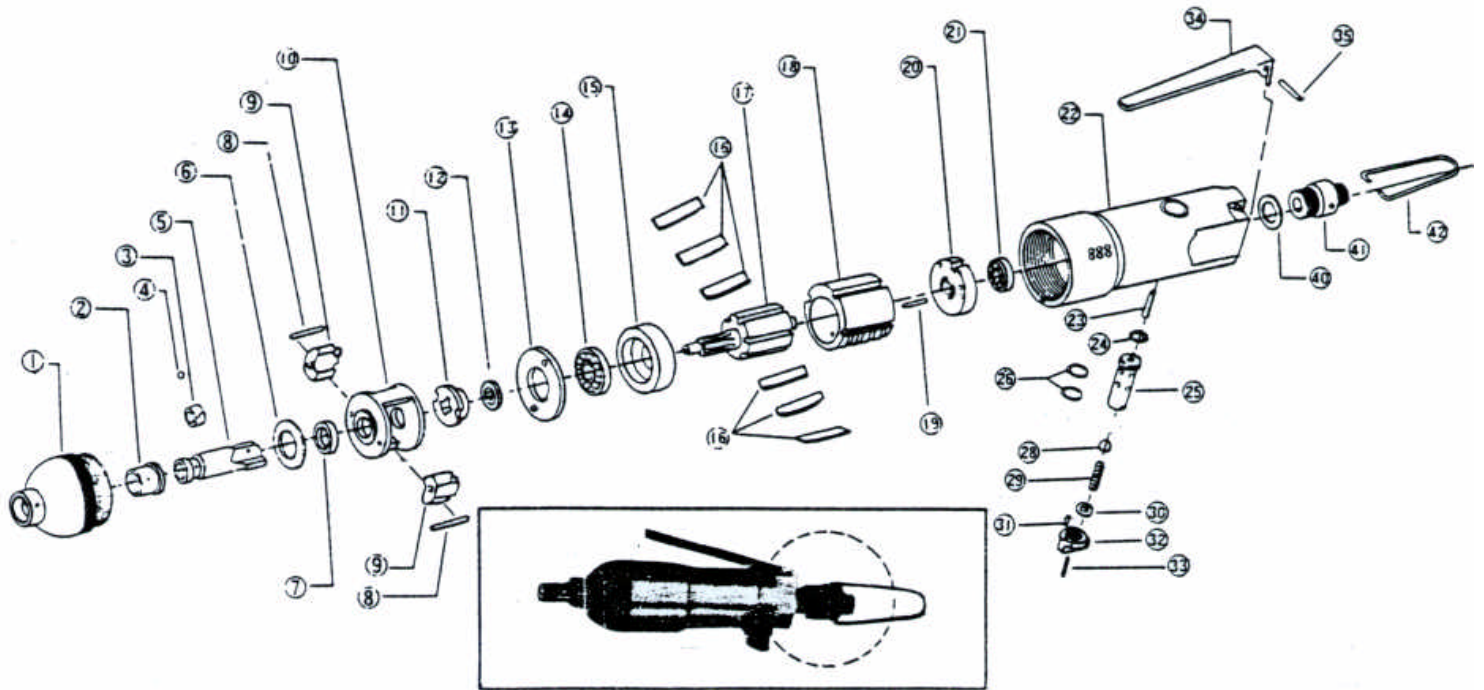


GISON Pneumatic Tools

GP-866 Air Screw Driver



PARTS LIST

✳ : Consuming Part

Item No.	Part No.	Description	Qty.	Item No.	Part No.	Description	Qty.
1	86601	Front Housing	1	21	86621	Bearing	1
2	86602	Bushing	1	22	86622	Housing	1
3	86603	Ball Collar	1	23	86623	Valve Stem	1
4	86604	Steel Ball	2	24	86624	O-Ring	1
5	86605	Anvil	1	25	86625	Valve Bushing	1
6	86606	Washer	1	26	86626	O-Ring	2
7	86607	Spacer	1	28	86628	Steel Ball	1
8	86608	Hammer Pin	2	29	86629	Spring	1
9	86609	Hammer Dog	2	30	86630	O-Ring	1
10	86610	Hammer Cage	1	31	86631	Pin	1
11	86611	Hammer Cam	1	32	86632	Reverse Knob	1
12	86612	Washer	1	33	86633	Pin	1
13	86613	Nut	1	34	86634	Switch Lever	1
14	86614	Bearing	1	35	86635	Pin	1
15	86615	Front End Plate	1	40	86640	O-Ring	1
16	86616	Rotor Blade	6	41	86641	Air Inlet	1
17	86617	Rotor	1	42	86642	Hanger	1
18	86618	Cylinder	1	43	86643	Switch Set	1
19	86619	Pin	1	46	86646	Air Regulator	1
20	86620	Rear End Plate	1				