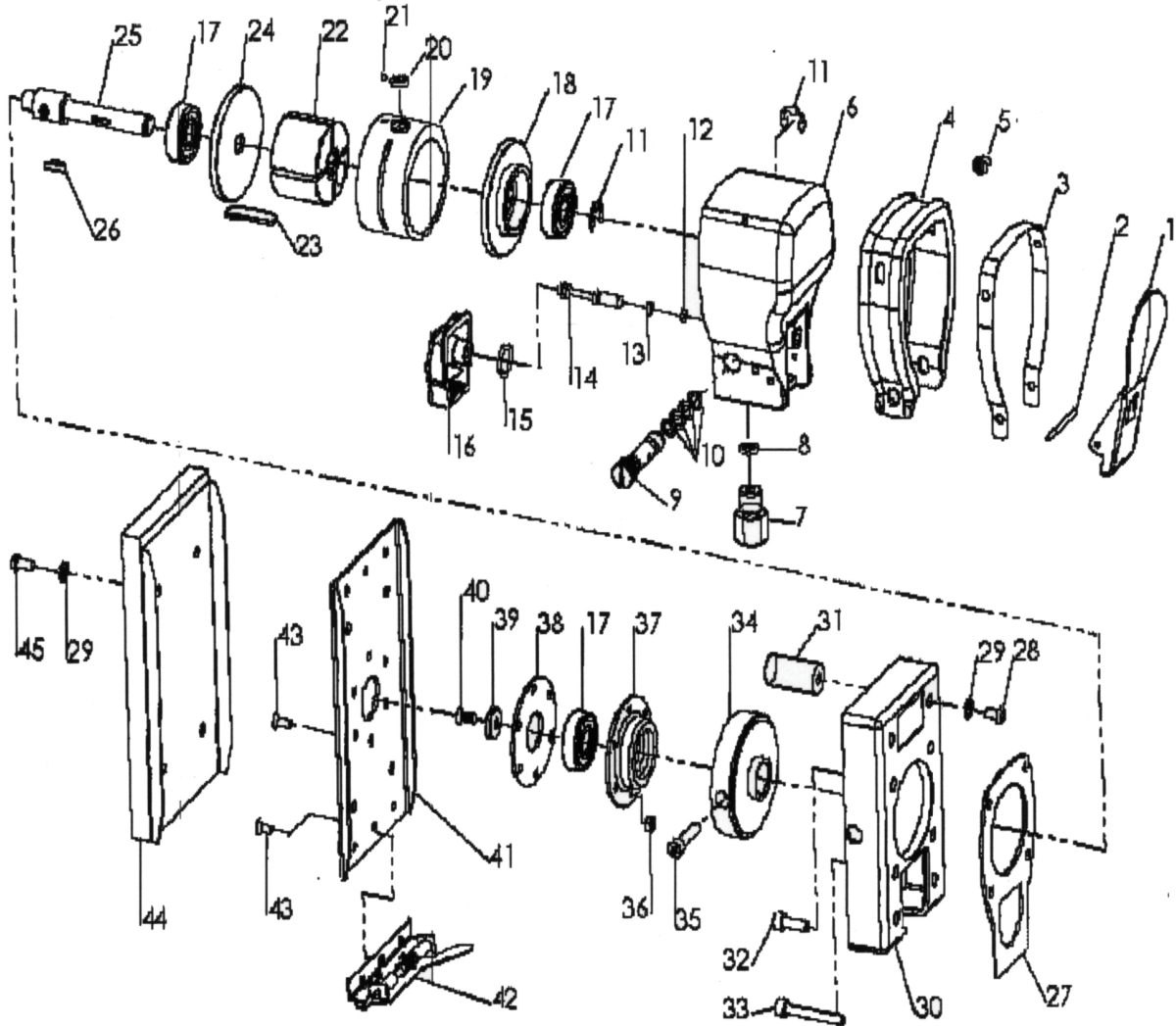




GISON Pneumatic Tools

GP-827N Air Orbital Sander



PARTS LIST

◆ : Consuming Part

Item No.	Part No.	Description	Qty.	Item No.	Part No.	Description	Qty.
1	827N001	Lever	1	24	827N024	End Plate	1
2	827N002	Lever Pin	1	25	827N025	Rotor Shaft	1
3	827N003	Rubber Grip	1	26	827N026	Key	1
4	827N004	With metal Strip	1	27	827N027	Gasket	1
5	827N005	Grip Screw	4	28	827N028	Mount Screw	4
6	827N006	Body	1	29	827N029	Spring Washer	8
7	827N007	Inlet Screw	1	30	827N030	Base	1
8	827N008	O-Ring	1	31	827N031	Rubber Post	4
9	827N009	Speed Regulator	1	32	827N032	Cap Screw	2
10	827N010	O-Ring	4	33	827N033	Cap Screw	2
11	827N011	Retaining Ring	2	34	827N034	Crank Shaft	1
12	827N012	O-Ring	1	35	827N035	Balancer Lock Screw	1
13	827N013	O-Ring	1	36	827N036	Nut	12
14	827N014	Plunger	1	37	827N037	Bearing Housing	1
15	827N015	O-Ring	1	38	827N038	Bearing Plate	1
16	827N016	Muffler	1	39	827N039	Retaining Ring	1
17	827N017	Ball Bearing	3	40	827N040	Bearing Hang Screw (M5)	1
18	827N018	End Plate	1	41	827N041	Shoe Plate	1
19	827N019	Cylinder	1	42	827N042	Paper Clamp	2
20	827N020	O-Ring	1	43	827N043	Clamp Screw (M4)	12
21	827N021	Ball	1	44	827N044	Sanding Pad	1
22	827N022	Rotor	1	45	827N045	Mount Screw	4
23	827N023	Rotor Blade	1				