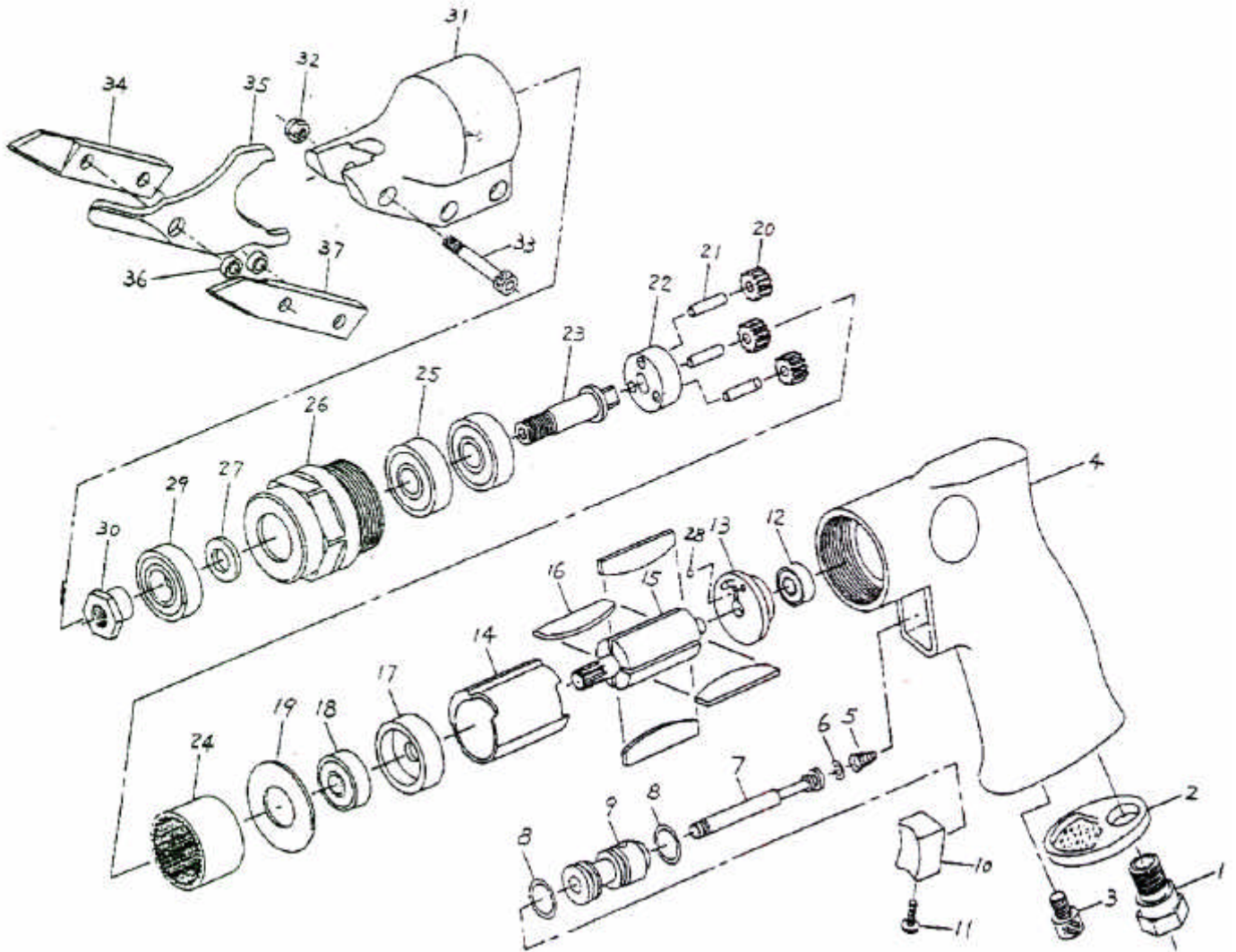




# GISON Pneumatic Tools

## GP-838C Pistol Air Metal Shear



### PARTS LIST

✦ : Consuming Part

Item No.	Part No.	Description	Qty.	Item No.	Part No.	Description	Qty.
1	838C01	Hose Adapter	1	20	838C20	Gear	3
2	838C02	Exhaust Sleeve	1	21	838C21	Gear Pin	3
3	838C03	Valve Body Set Screw	1	22	838C22	Gear Plate	1
4	838C04	Motor Housing	1	23	838C23	Shaft	1
5	838C05	Spring	1	24	838C24	Ring Gear	1
6	838C06	O-Ring	1	25	838C25	Ball Bearing(6200)	2
7	838C07	Valve Stem	1	26	838C26	Clamp Nut	1
8	838C08	O-Ring	3	27	838C27	Washer	1
9	838C09	Valve Body	1	28	838C28	Steel Ball	1
10	838C10	Trigger	1	29	838C29	Bearing(R8ZZ)	1
11	838C11	Screw (3*8)	1	30	838C30	Excentric Nut	1
12	838C12	Ball Bearing	1	31	838C31	Cutter Housing	1
13	838C13	Rear End Plate	1	32	838C32	Lock Nut	3
14	838C14	Cylinder	1	33	838C33	Lock Screw	3
15	838C15	Rotor	1	34	838C34	Left Blade	1
16	838C16	Rotor Blade	5	35	838C35	Center Blade	1
17	838C17	Front End Plate	1	36	838C36	Space	2
18	838C18	Ball Bearing	1	37	838C37	Right Blade	1
19	838C19	Washer	1				