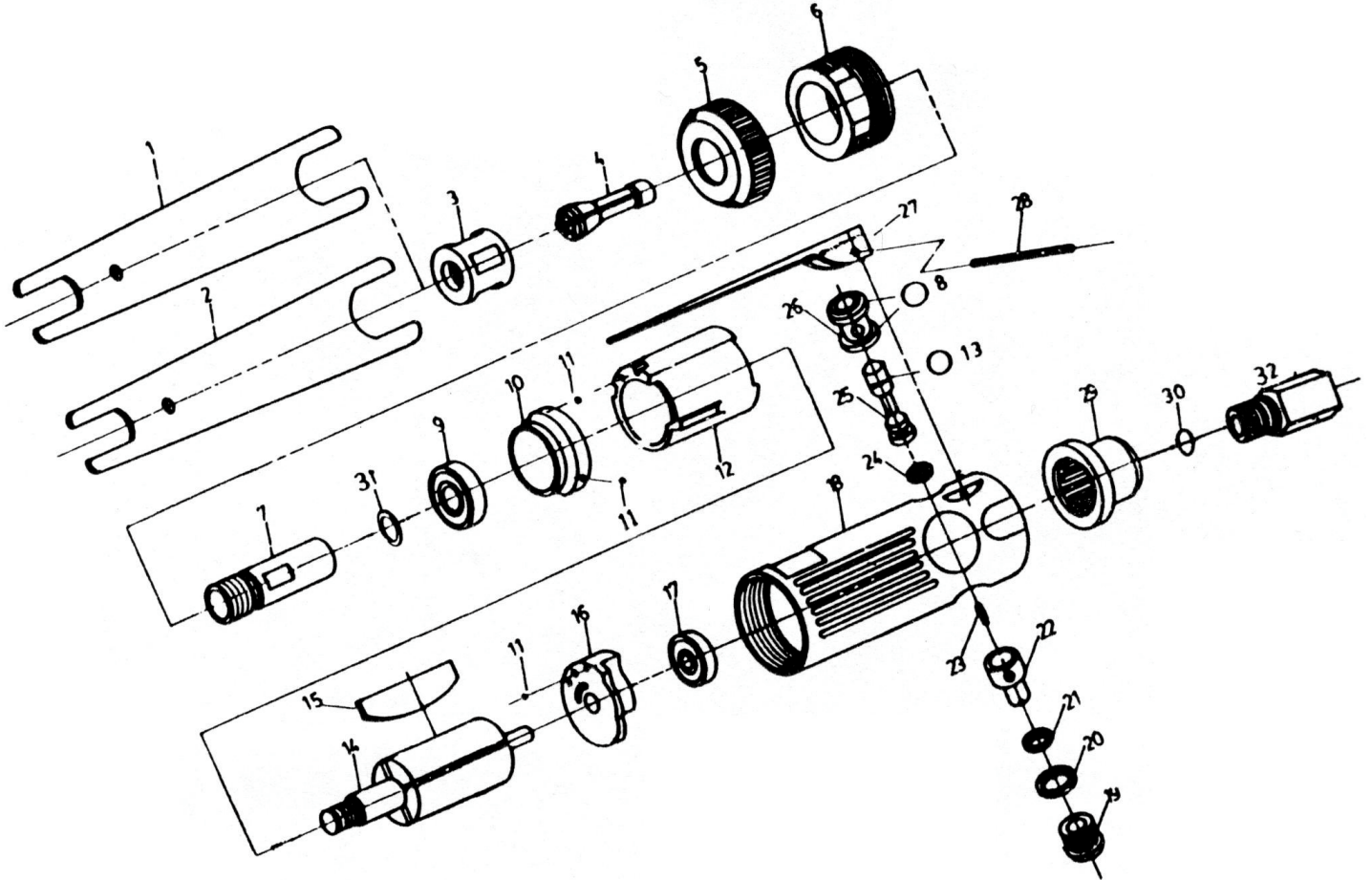




GISON Pneumatic Tools

GP-824 Air Die Grinder



PARTS LIST

✧ : Consuming Part

Item No.	Part No.	Description	Qty.	Item No.	Part No.	Description	Qty.
1	824001	Double Ended Spanner	1	16-1	824016-1	Rear Plate Assy. (#16+#11x1pcs)	1
2	824002	Double Ended Spanner	1	17	824017	Ball Bearing	1
3	824003	Collet Nut	1	18	824018	Motor Housing	1
4	824004a	1/8" Collet	1	19-1	824019-20	Valve Screw Assy (#19+#20)	2
	824004b	3mm Collet		22-1	824022-21	Air Regulator Assy (#22+#21)	1
	824004c	6mm Collet		✧ 23	824023	Spring	1
	824004d	1/4" Collet		✧ 24	824024	O-Ring	1
5	824005	Housing Cap	1	25	824025	Throttle Valve	1
6	824006	Retainer (M34xP1.5x15.3mm)	1	25-1	824025-1	Throttle Valve Assy. (#25+#24+#13)	1
7	824007	Spindle	1	26	824026	Valve	1
✧ 8	824008	O-Ring	2	26-1	824026-1	Valve Assy (#21+#8x2)	1
9	824009	Ball Bearing	1	27	824027	Safety Throttle Lever	1
10	824010	Front End Plate	1	27-1	824027-1	Throttle	1
10-1	824010-1	Front End Plate Assy. (#10+#11x2pcs)	1	28	824028	Throttle Lever Pin (Pin3x24)	1
11	824011	Ball	3	29	824029	Exhaust Deflector	1
12	824012	Cylinder	1	✧ 30	824030	O-Ring	1
✧ 13	824013	O-Ring	1	31	824031	Washer	1
14	824014	Rotor	1	32	824032	Inlet Bushing	1
✧ 15	824015	Rotor Blade	4	32-1	824032-1	Inlet Bushing Assy. (#32+#30)	1
16	824016	Rear Plate	1				