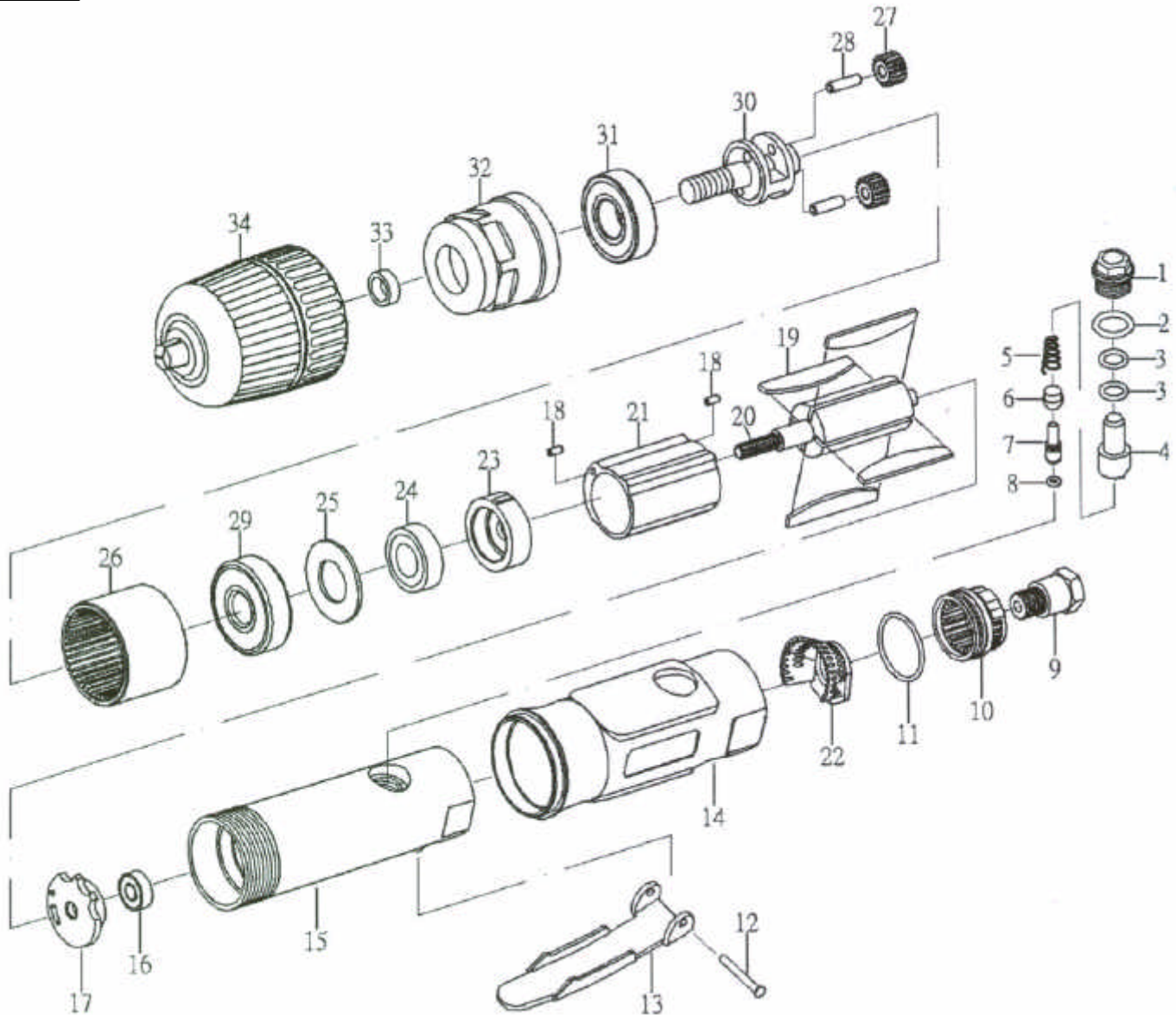




GISON Pneumatic Tools

GP-330STN 3/8" Air In-line Drill



PARTS LIST

✳ : Consuming Part

| Item No. | Part No. | Description | Qty. | Item No. | Part No. | Description | Qty. |
|----------|----------|----------------------|------|----------|----------|------------------|------|
| 1 | 330STN01 | Screw | 1 | 18 | 330STN18 | Pin | 2 |
| 2 | 330STN02 | O-Ring (P12) | 1 | 19 | 330STN19 | Rotor Blade | 4 |
| 3 | 330STN03 | O-Ring (P8) | 2 | 20 | 330STN20 | Rotor (9T) | 1 |
| 4 | 330STN04 | Air Regulator | 1 | 21 | 330STN21 | Cylinder | 1 |
| 5 | 330STN05 | Spring | 1 | 22 | 330STN22 | Cone Muffler | 1 |
| 6 | 330STN06 | Valve Stem Bushing | 1 | 23 | 330STN23 | Front Plate | 1 |
| 7 | 330STN07 | Valve Stem | 1 | 24 | 330STN24 | Bearing (608ZZ) | 1 |
| 8 | 330STN08 | O-Ring (3.5 X 1.4) | 1 | 25 | 330STN25 | Washer | 1 |
| 9 | 330STN09 | Air Inlet | 1 | 26 | 330STN26 | Thread Ring Gear | 1 |
| 10 | 330STN10 | Exhaust Sleeve | 1 | 27 | 330STN27 | Idler Gear (16T) | 2 |
| 11 | 330STN11 | O-Ring (26.7 X 1.78) | 1 | 28 | 330STN28 | Idler Gear Pin | 2 |
| 12 | 330STN12 | Spring Pin (3 X 24) | 1 | 29 | 330STN29 | Bearing (6001Z) | 1 |
| 13 | 330STN13 | Lever | 1 | 30 | 330STN30 | Gear Plate | 1 |
| 14 | 330STN14 | Protecting Rubber | 1 | 31 | 330STN31 | Bearing (6200ZZ) | 1 |
| 15 | 330STN15 | Housing | 1 | 32 | 330STN32 | Clamp Nut | 1 |
| 16 | 330STN16 | Bearing (696ZZ) | 1 | 33 | 330STN33 | Washer | 1 |
| 17 | 330STN17 | Rear Plate | 1 | 34 | 330STN34 | 3/8" Chuck | 1 |