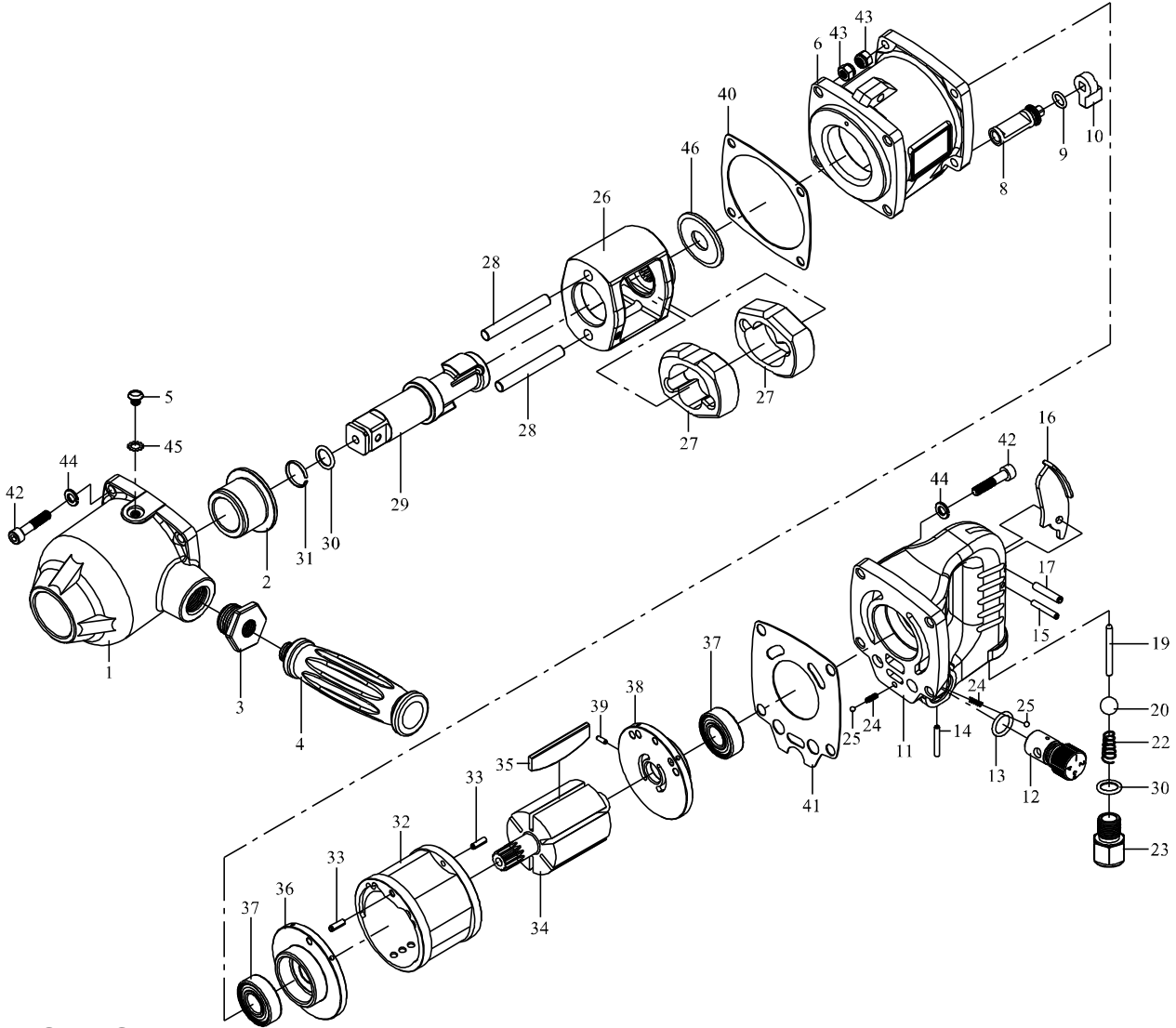




GISON Pneumatic Tools

GW-26 3/4" Heavy Duty Air Impact Wrench



PARTS LIST

✳ : Consuming Part

Item No.	Part No.	Description	Qty.	Item No.	Part No.	Description	Qty.
1	26001000	Hammer Casing	1	26	26004000	Hammer Cage	1
2	26001010	Anvil Bushing	1	27	26004010	Hammer	2
3	26001020	Fix Nut	1	✳ 28	26004020	Hammer Pin	2
4	829027	Dead Handle	1	29	26004030	Anvil	1
5	MC004	Screw	1	30	OR021	O-Ring	2
6	26002000	Body	1	31	220017	Anvil Collar	1
8	26002020	Reverse Valve	1	32	26005000	Cylinder	1
9	OR006	O-Ring	1	33	SP003	Spring Pin	2
10	26002030	Reverse Lever	1	34	26005010	Rotor	1
11	26003000	Handle Frame	1	✳ 35	26005020	Rotor Blade	6
12	26003010	Regulator Knob	1	36	26005030	Front Plate	1
13	OR007	O-Ring	1	37	B6202ZZ	Ball Bearing	2
14	SP032	Spring Pin	1	38	26005040	Rear Plate	1
15	SP016	Spring Pin	1	39	SP025	Spring Pin	1
16	26003040	Trigger	1	✳ 40	26006000	Front Gasket	1
17	SP007	Spring Pin	1	✳ 41	26007000	Rear Gasket	1
19	26003070	Valve Stem	1	42	CAP023	Cap Screw	8
20	380007	Nylon Ball	1	43	NS6	Nut	8
22	S041	Spring	1	44	SPW6	Spring Washer	8
23	26003083	Air Inlet Bushing	1	45	WT6X10	Washer	1
24	S011	Spring	2	46	26004040	Washer	1
25	380022	Steel Ball	2				