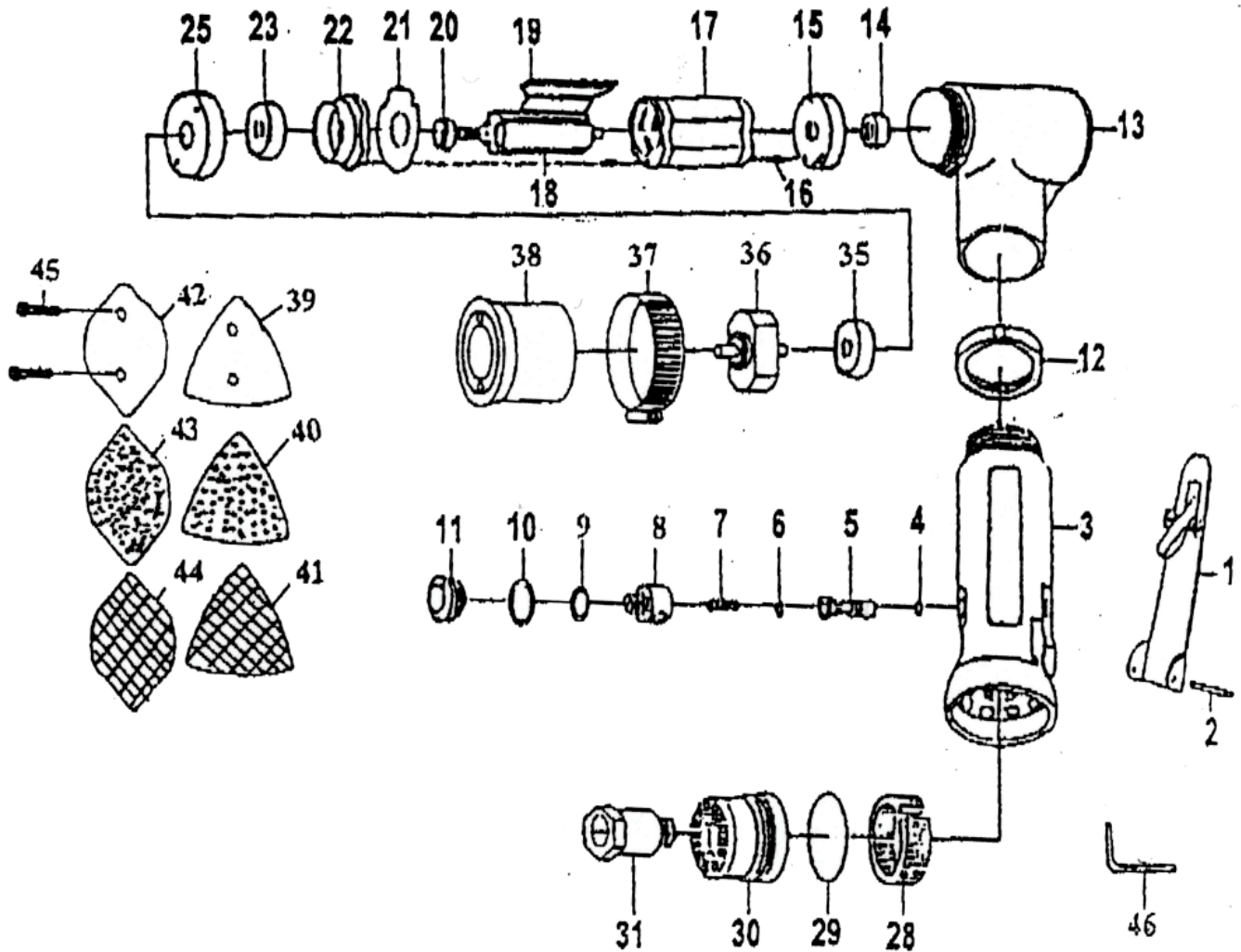




GISON Pneumatic Tools

GP-822C 3" Air Angle Sander



PARTS LIST

★ :Consuming Part

Item No.	Part No.	Description	Qty.	Item No.	Part No.	Description	Qty.
1	822C01	Throttle Lever	1	23	822C23	Bearing	1
2	822C02	Spring Pin	1	25	822C25	Cover	1
3	822C03	Housing	1	28	822C28	Silencer	1
4	822C04	O-Ring	1	29	822C29	O-Ring	1
5	822C05	Valve Stem	1	30	822C30	Air Deflector	1
6	822C06	O-Ring	1	31	822C31	Air Inlet	1
7	822C07	Valve Spring	1	35	822C35	Bearing	1
8	822C08	Air Controller	1	36	822C36	Balancer Shaft	1
9	822C09	O-Ring	1	37	822C37	Snap Ring	1
10	822C10	O-Ring	1	38	822C38	Pad Holder	1
11	822C11	Valve Screw	1	39	822C39	Tri-Angle Pad	1
12	822C12	Lock Nut	1	40	822C40	Sanding Disc #80	1
13	822C13	Housing	1	40A	822C40A	Sanding Disc #120	1
14	822C14	Bearing	1	42	822C42	Conditioning Disc #600	1
15	822C15	End Plate	1	42A	822C42A	Conditioning Disc #1000	1
16	822C16	Pin	2	44	822C44	Oval Pad	1
17	822C17	Cylinder	1	45	822C45	Sanding Disc #80	1
18	822C18	Rotor	1	46	822C46	Sanding Disc #120	1
19	822C19	Blade	4	47	822C47	Conditioning Disc #600	1
20	822C20	Spacer	1	48	822C48	Conditioning Disc #1000	1
21	822C21	Steel Plate	1	49	822C49	Screw	2
22	822C22	Front Plate	1	50	822C50	Hex. Wrench 3mm	1