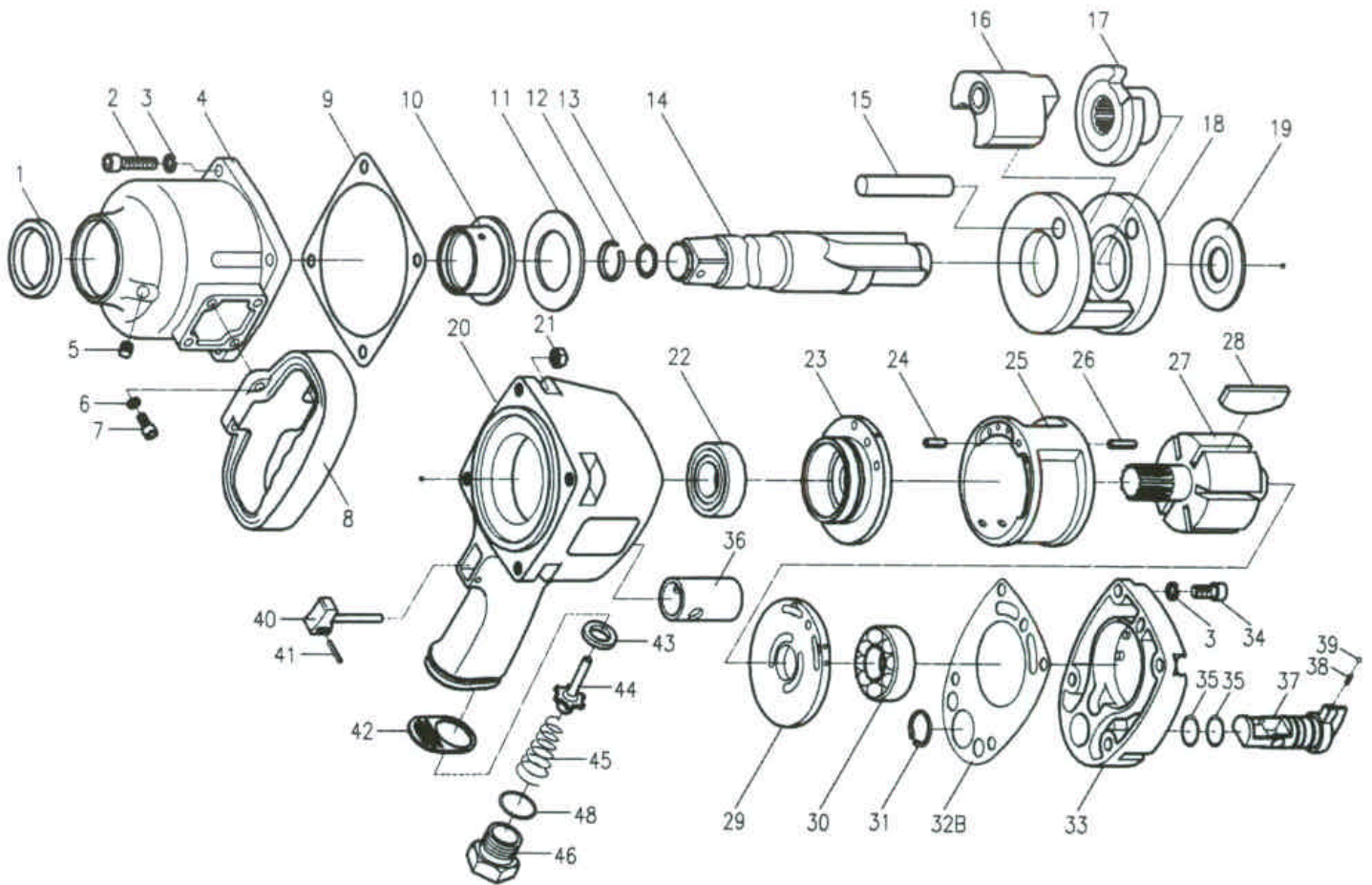




GISON Pneumatic Tools

GW-38R 1" Heavy Duty Air Impact Wrench (handle Exhaust)



PARTS LIST

✳ : Consuming Part

Item No.	Part No.	Description	Qty.	Item No.	Part No.	Description	Qty.
1	38R01	Oil Seal	1	25	38R25	Cylinder	1
2	38R02	Cap Screw	4	26	38R26	Spring Pin	1
3	38R03	Spring Washer	8	27	38R27	Rotor	1
4	38R04	Hammer Case	1	28	38R28	Rotor Blade	6
5	38R05	Set Screw	1	29	38R29	Rear End Plate	1
6	38R06	Spring Washer	4	30	38R30	Ball Bearing	1
7	38R07	Cap Screw	4	31	38R31	Snap Ring	1
8	38R08	D-Type Handle	1	32B	38R32B	Rear Gasket	1
9	38R09	Front Gasket	1	33	38R33	Rear Cover	1
10	38R10	Anvil Bushing	1	34	38R34	Cap Screw	4
11	38R11	Front Washer	1	35	38R35	O-Ring	2
12	38R12	Anvil Collar	1	36	38R36	Valve Sleeve	1
13	38R13	O-Ring	1	37	38R37	Reverse Valve	1
14	38R14A	Anvil	1	38	38R38	Spring	1
	38R14B	8" Anvil		39	38R39	Steel Ball	1
15	38R15	Hammer Pin	1	40	38R40	Trigger	1
16	38R16	Hammer Dog	1	41	38R41	Spring Pin	1
17	38R17	Cam	1	42	38R42	Exhaust Deflector	1
18	38R18	Hammer Cage	1	43	38R43	Bushing	1
19	38R19	Rear Washer	1	44	38R44	Valve Stem	1
20	38R20	Motor Housing	1	45	38R45	Spring	1
21	38R21	Lock Nut	4	46	38R46A	Air Inlet (1/2" PF)	1
22	38R22	Ball Bearing	1		38R46B	Air Inlet (1/2" PT)	
23	38R23	Front End Plate	1		38R46C	Air Inlet (1/2" NPT)	
24	38R24	Spring Pin	1	48	38R48	O-Ring	1