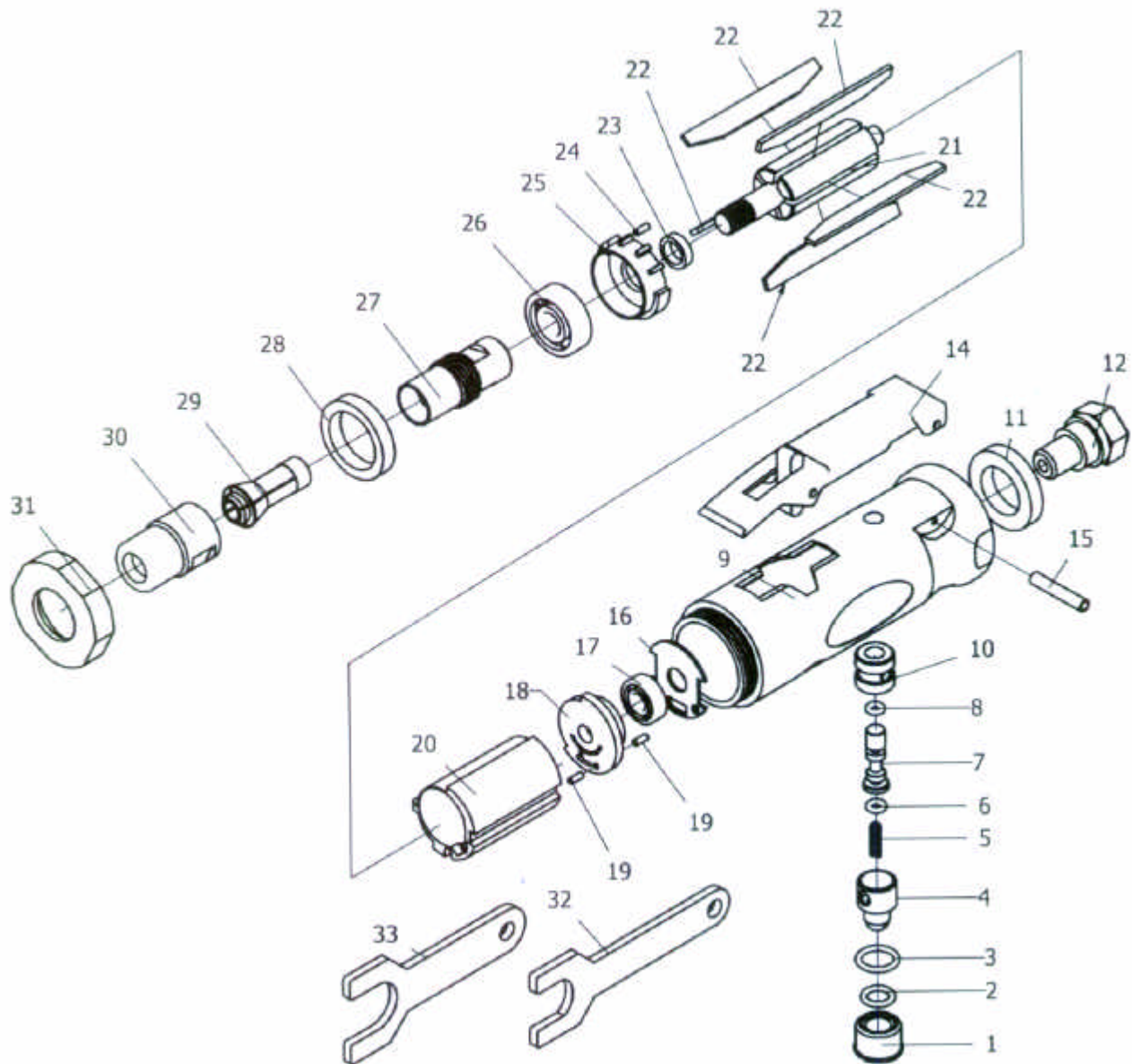




GISON Pneumatic Tools

GP-824LGR Air Die Grinder (Rear Exhaust)



PARTS LIST

◆ : Consuming Part

Item No.	Part No.	Description	Qty.	Item No.	Part No.	Description	Qty.
1	824LGR01	Plug Screw	1	18	824LGR18	Bearing Plate	1
2	824LGR02	O-Ring	1	19	824LGR19	Locating Pin	2
3	824LGR03	O-Ring	1	20	824LGR20	Cylinder	1
4	824LGR04	Air Regulator	1	21	824LGR21	Rotor	1
5	824LGR05	Valve Spring	1	22	824LGR22	Rotor Blade	5
6	824LGR06	O-Ring	1	23	824LGR23	Rotor Collar	1
7	824LGR07	Valve Stem	1	24	824LGR24	Pin	1
8	824LGR08	O-Ring	1	25	824LGR25	Bearing Plate	1
9	824LGR09	Motor Housing	1	26	824LGR26	Bearing	1
10	824LGR10	Valve Bushing	1	27	824LGR27	Spindle	1
11	824LGR11	Muffler	1	28	824LGR28	Lock Pin	1
12	824LGR12	Air Inlet	1	29	824LGR29	Collet	1
14	824LGR14	Lever	1	30	824LGR30	Collet Nut	1
15	824LGR15	Lever Pin	1	31	824LGR31	Housing Cap	1
16	824LGR16	Pad	1	32	824LGR32	Wrench	1
17	824LGR17	Bearing	1	33	824LGR33	Wrench	1