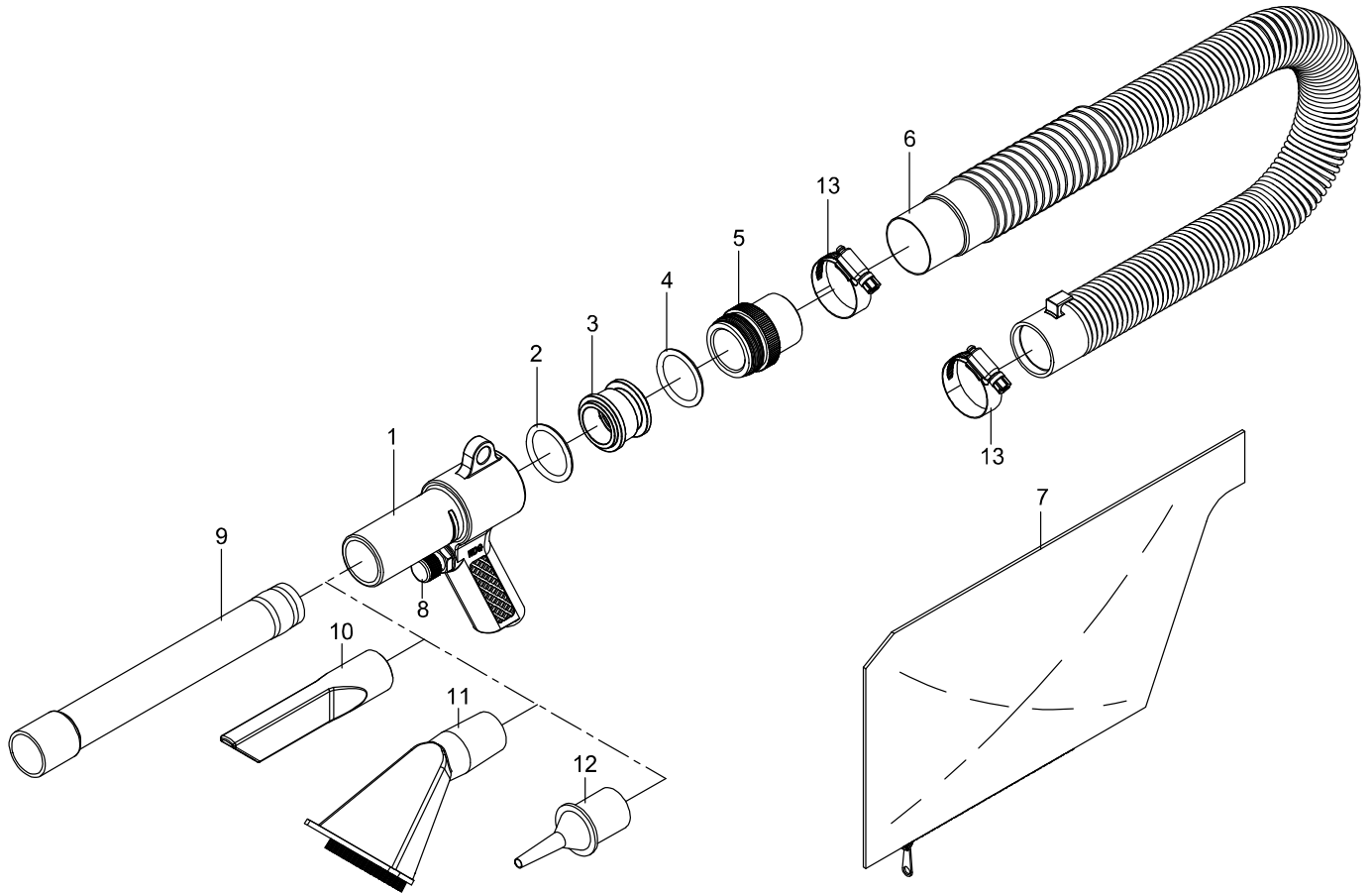




GISON Pneumatic Tools

GP-405B Air Wonder Gun Kit



PARTS LIST

★ :Consuming Part

Item No.	Part No.	Description	Qty.	Item No.	Part No.	Description	Qty.
1	405B01	Body	1	7	405B07	Bag	1
2	405B02	O-Ring	1	8	405B08	Trigger	1
3	405B03	Valve	1	9	405B09	Round & Flat Nozzle (Incl. 9-10)	1
4	405B04	O-Ring	1	11	405B11	Brush Nozzle	1
5	405B05	End Cap	1	12	405B12	Tiny Nozzle	1
6	405B06	Air Hose	1	13	405B13	Clamp	1

2012/10/12

Instructions :

This tool is set in suction position when you receive this tool. Yet, a simple reversion can be done by yourself.

For Blowing purpose - 1.Fix #3 valve be in the position as fig.
2.Pipe and bag are not in use.

For Sucking purpose - 1.Reverse #3 valve be in the position as fig.
2.Pipe and bag are essential.

* Fix #2 & #4 O-Ring carefully to avoid breakage.

