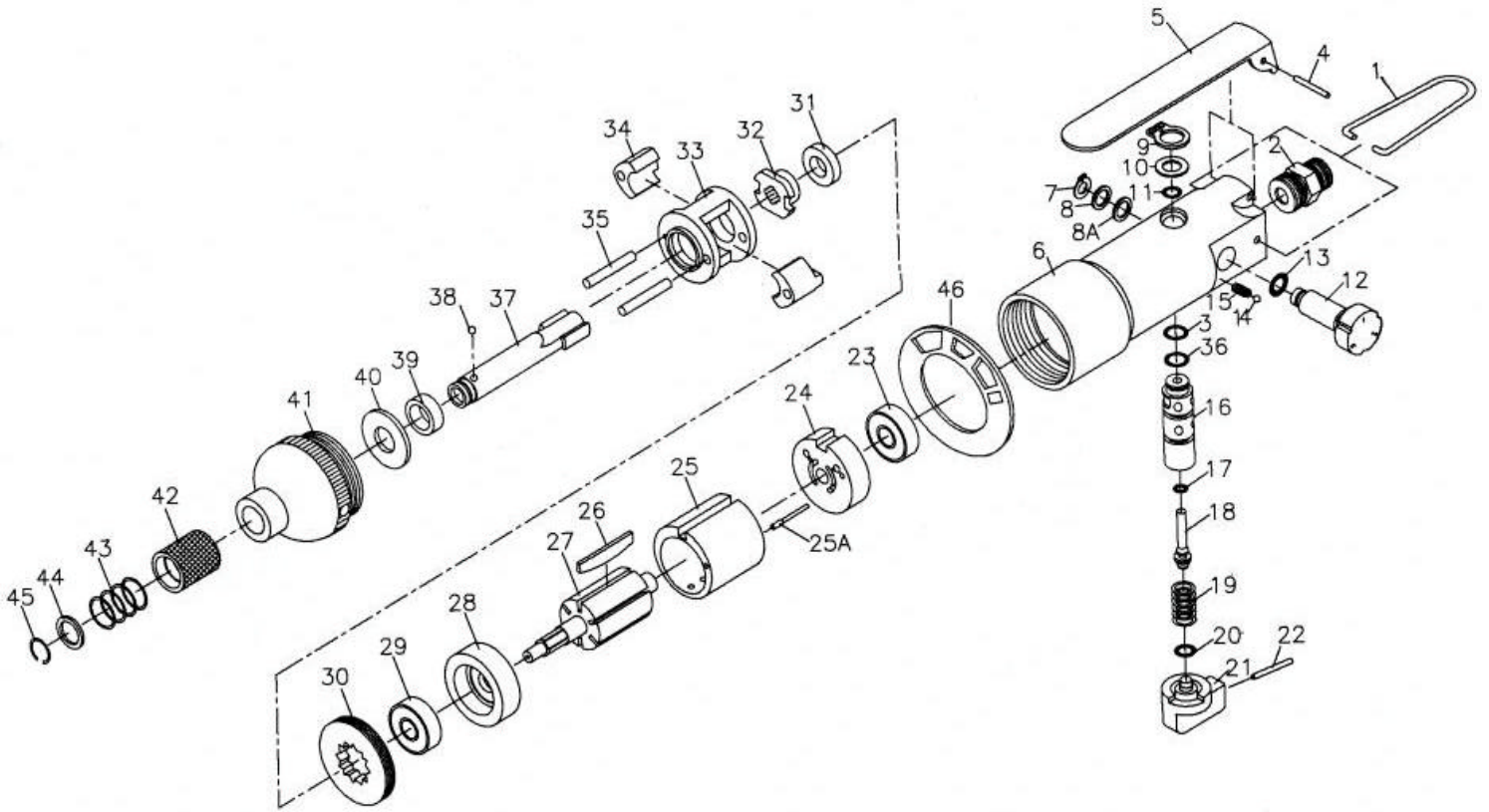




GISON Pneumatic Tools

GP-866Q Air Screw Driver



PARTS LIST

✳ : Consuming Part

Item No.	Part No.	Description	Qty.	Item No.	Part No.	Description	Qty.
1	866Q01	Hook	1	24	866Q24	Rear Plate	1
2	866Q02	Inlet Bushing	1	25	866Q25	Cylinder	1
3	866Q03	P7 O-Ring	1	25A	866Q25A	Spring Pin 1.5 X L18	1
4	866Q04	2.5 X 22 Pin	1	26	866Q26	Blade	6
5	866Q05	Switch Lever	1	27	866Q27	Rotor	1
6	866Q06	Housing	1	28	866Q28	Front Plate	1
7	866Q07	"C" Retaining Ring	1	29	866Q29	608 Bearing	1
8	866Q08	Washer	1	30	866Q30	Nut	1
8A	866Q08A	Washer	1	31	866Q31	Washer	1
9	866Q09	"C" Retaining Ring	1	32	866Q32	Cam	1
10	866Q10	Washer	1	33	866Q33	Hammer Housing	1
11	866Q11	S10 O-Ring	1	34	866Q34	Hammer	2
12	866Q12	Regulator	1	35	866Q35	4.0 Pin	2
13	866Q13	P6 O-Ring	2	36	866Q36	P7 O-Ring	1
14	866Q14	1/8" Steel Ball	1	37	866Q37	Anvil	1
15	866Q15	Spring	1	38	866Q38	4.0 Steel Ball	1
16	866Q16	Throttle Bushing	1	39	866Q39	Collar	1
17	866Q17	P3 O-Ring	1	40	866Q40	Washer	1
18	866Q18	Throttle Pin	1	41	866Q41	Housing Cap	1
19	866Q19	Spring	1	42	866Q42	Spring Seat	1
20	866Q20	P5 O-Ring	1	43	866Q43	Spring	1
21	866Q21	Reverse Valve	1	44	866Q44	Washer	1
22	866Q22	2 X 18 Pin	1	45	866Q45	Circllet	1
23	866Q23	608 Bearing	1	46	866Q46	Gasket	1