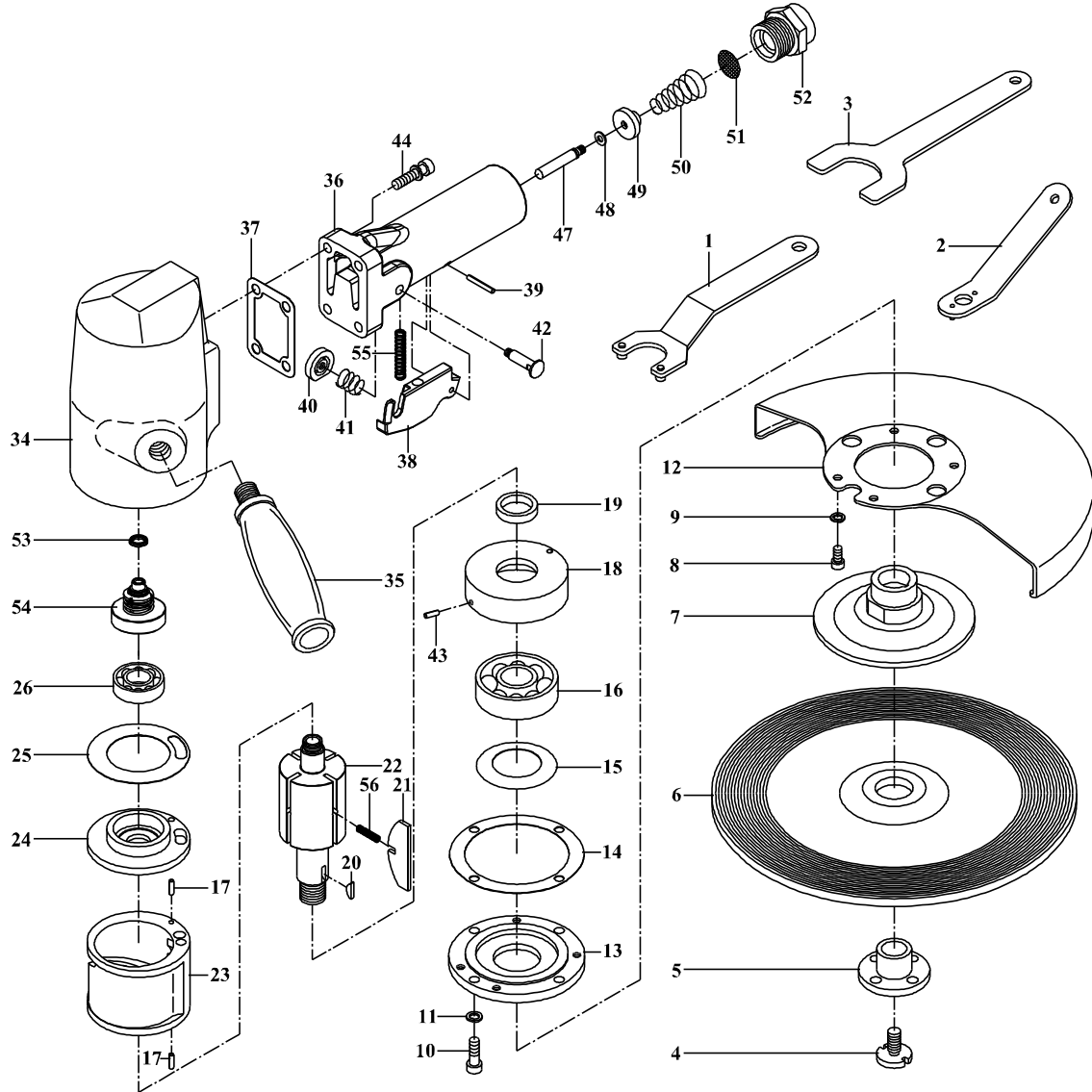




# GISON Pneumatic Tools

## GP-919 7" Heavy Duty Air Vertical Grinder



### PARTS LIST

✳ : Consuming Part

Item No.	Part No.	Description	Qty.	Item No.	Part No.	Description	Qty.
1	829047	Disc Spanner	1	25	915025	Gasket	1
2	832040	Disc Spanner	1	✳ 26	B6002ZZ	Ball Bearing	1
3	915003	Stop Spanner	1	34	915034A	Body	1
4	915004	Screw	1	35	829027	Dead Handle	1
5	915005	Pad Nut	1	36	916036	Handle	1
6	831047	7" Disc Wheel	1	37	915037	Gasket	1
7	915007	Disc Receiver	1	38	916038	Lever	1
8	CAP017	Screw	4	39	SP026	Spring Pin	1
9	SPW5	Washer	4	40	916040	Nut Spacer	1
10	CAP018	Screw	4	41	S022	Spring	1
11	SPW6	Spring Washer	4	42	916042	Latch	1
12	919012	Disc Cover	1	43	SP025	Spring Pin	1
13	915013	Body Cover	1	44	CAP003	Screw	4
14	915014	Gasket	1	47	916047	Valve Sleeve	1
15	915015	Retainer	1	48	T5X14	Washer	1
✳ 16	B6304ZZ	Ball Bearing	1	49	915049	Valve Stem	1
17	SP001	Spring Pin	2	✳ 50	S013	Spring	1
18	915018	Front Plate	1	51	420001	Screen	1
19	915019	Pipe Sleeve	1	52	420002	Hose Adapter	1
20	KR002	Key	1	53	SG015	Oil Seal	1
✳ 21	915021	Rotor Blade	4	54	919h02	Governor Assembly	1
22	915022	Rotor	1	55	S040	Spring	1
23	915023	Cylinder	1	56	S064	Spring	4
24	915024	Rear Plate	1				