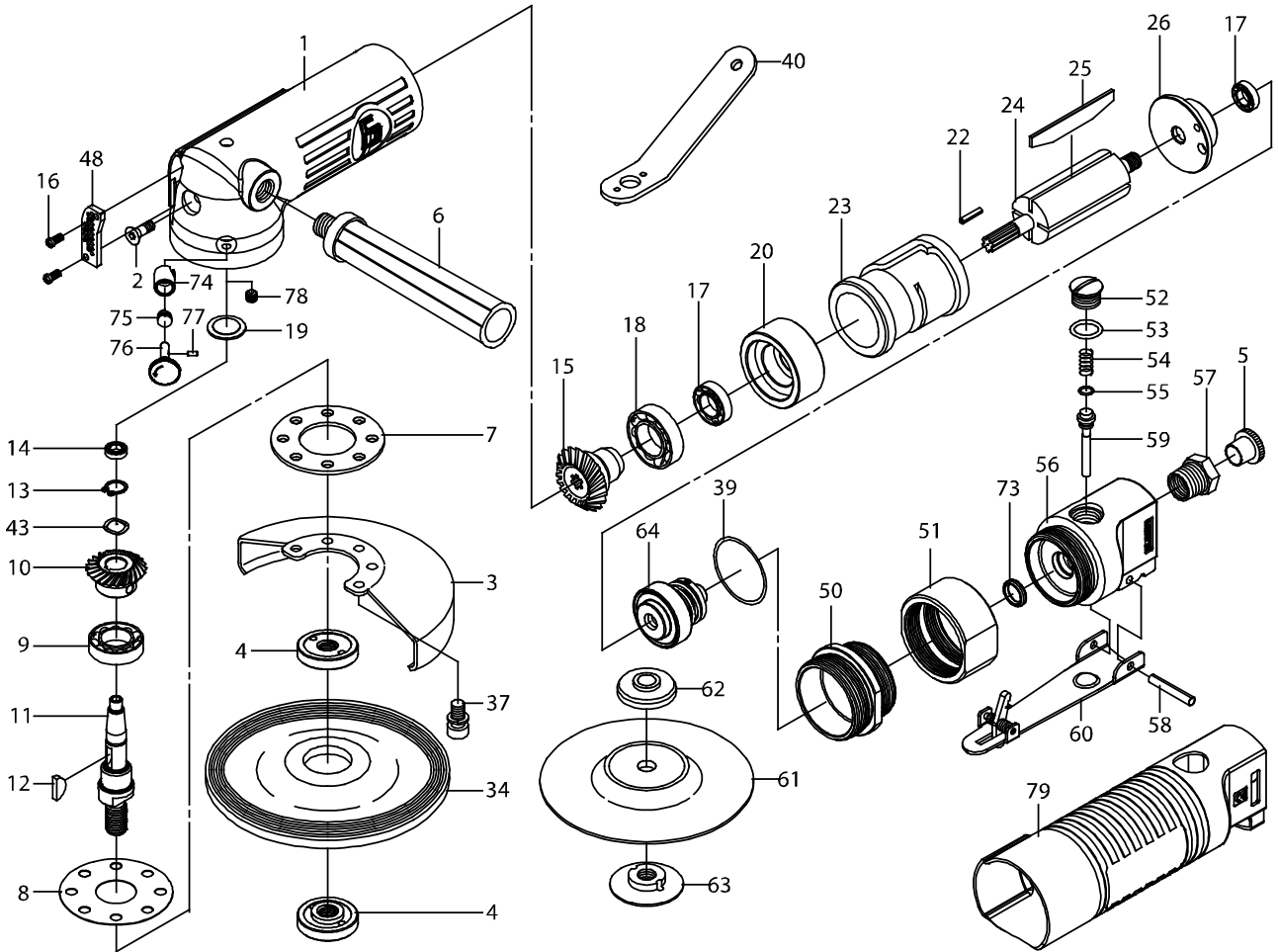




GISON Pneumatic Tools

GP-914S 4-1/2" Air Angle Sander & Grinder



PARTS LIST

★ :Consuming Part

| Item No | Part No | Description | Qty | Item No | Part No | Description | Qty |
|---------|---------|----------------|-----|---------|---------|-------------------------|-----|
| 1 | 832001B | Body | 1 | 39 | OR032 | O-Ring | 1 |
| 2 | MT001 | Screw | 1 | 40 | 832040 | Disc Spanner | 1 |
| 3 | 912003 | Disc Cover | 1 | 43 | WW10 | Wave Washer | 1 |
| ★ 4 | 832004 | Disc Nut | 2 | 48 | 832048 | Exhaust Cover | 1 |
| 5 | 829046 | Plastic Cover | 1 | 50 | 832050 | Lock Ring | 1 |
| 6 | 832006 | Grip | 1 | 51 | 832051 | Coupling Nut | 1 |
| 7 | 832007 | Retainer | 1 | 52 | 832052 | Valve Screw | 1 |
| 8 | 832008 | Gasket | 1 | 53 | OR033 | O-Ring | 1 |
| 9 | B6202ZZ | Ball Bearing | 1 | 54 | S028 | Valve Spring | 1 |
| ★ 10 | 832010B | Bevel Gear | 1 | 55 | OR034 | O-Ring | 1 |
| 11 | 832011a | Gear Shaft | 1 | 56 | 832056 | Valve Housing | 1 |
| 12 | KR002 | Key | 1 | 57 | 832057 | Hose Adapter | 1 |
| 13 | C10 | Retaining Ring | 1 | 58 | SP018 | Spring Pin | 1 |
| 14 | B626ZZ | Ball Bearing | 1 | 59 | 832059 | Valve Pin | 1 |
| ★ 15 | 832015 | Pinion Gear | 1 | 60 | 832j01 | Complete Lever Assembly | 1 |
| 16 | TP3X10 | Screw | 2 | 61 | 914027 | Pad | 1 |
| ★ 17 | B608ZZ | Ball Bearing | 2 | 62 | 912005 | Disc Receiver | 1 |
| 18 | B6201 | Ball Bearing | 1 | 63 | 912004 | Disc Nut | 1 |
| 19 | 832019 | Spacer | 1 | 64 | 832h02 | Governor Assy | 1 |
| 20 | 829023 | Front Plate | 1 | 73 | SG015 | Oil Seal | 1 |
| 22 | SP025 | Spring Pin | 1 | 74 | 832077 | Fix Bushing | 1 |
| 23 | 829022 | Cylinder | 1 | 75 | S055 | Spring | 1 |
| 24 | 832024 | Rotor | 1 | 76 | 832076 | Fix Pin | 1 |
| ★ 25 | 829019 | Rotor Blade | 4 | 77 | P013 | Pin | 1 |
| 26 | 829018 | Rear Plate | 1 | 78 | MS002 | Screw | 1 |
| 34 | 832034 | Disc Wheel | 1 | 79 | 832068 | Rubber Sleeve | 1 |
| 37 | CAP005 | Cap Screw | 4 | | | | |