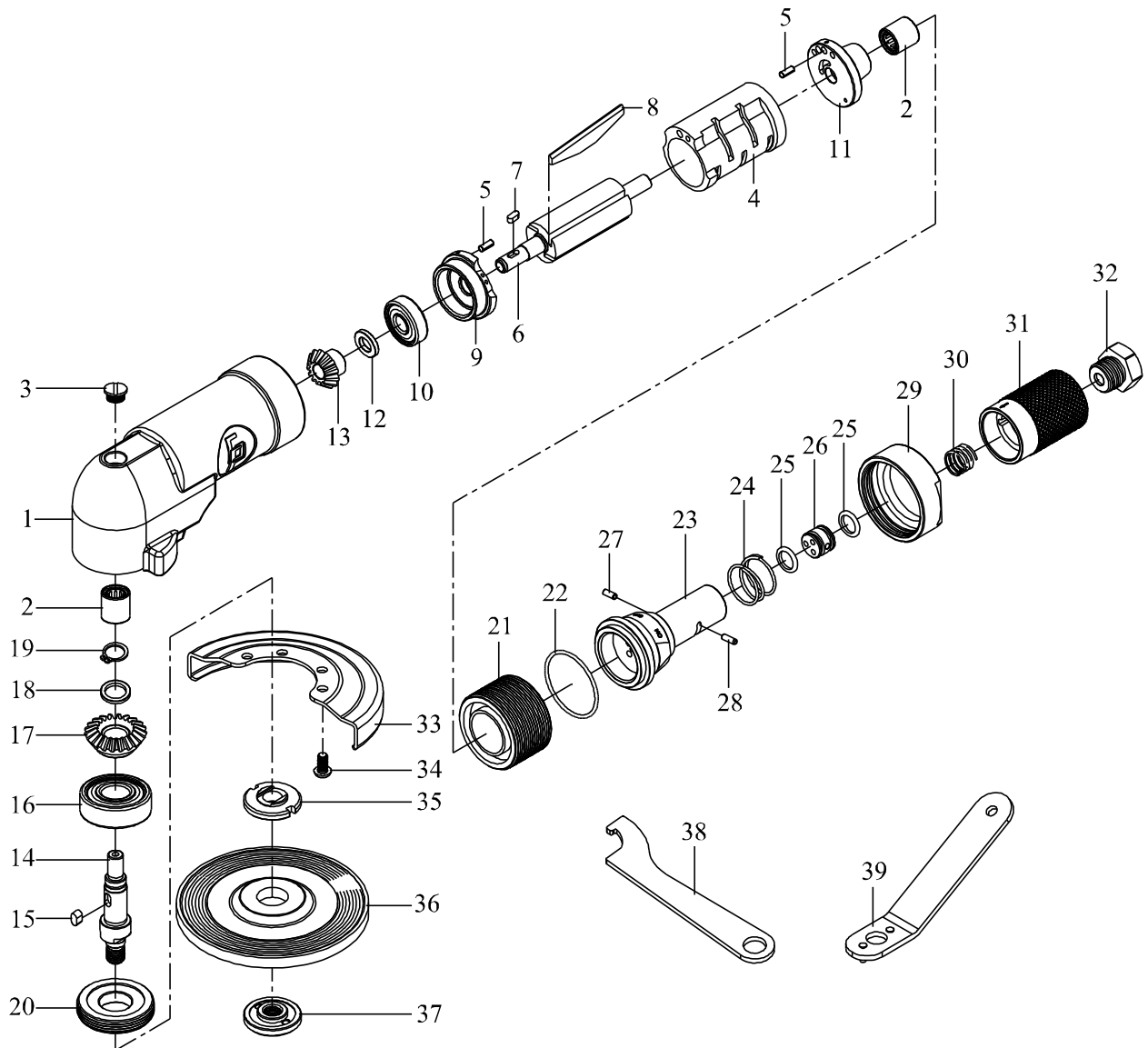


GISON Pneumatic Tools

GP-971A 4" Air Angle Grinder (On/Off Switch)



PARTS LIST

★ : Consuming Part

Item No.	Part No.	Description	Qty.	Item No.	Part No.	Description	Qty.
1	97101000	Body	1	21	971A3000	Lock Ring	1
2	B815	Pin Bearing	2	22	OR025	O-Ring	1
3	97101020	Screw	1	23	971A5000	Safety Switch	1
★ 4	97102000	Cylinder	1	★ 24	S071	Spring	1
5	SP025	Spring Pin	2	25	OR051	O-Ring	2
6	97102A10	Rotor	1	26	971A5001	Air Inlet Valve	1
7	KC002	Key	1	27	P008	Pin	1
★ 8	97102012	Rotor Blade	4	28	P015	Pin	1
9	97102020	Front Plate	1	29	971A3020	Coupling	1
10	B629ZZ	Ball Bearing	1	★ 30	S016	Spring	1
11	97102030	Rear Plate	1	31	971A5002	Safety Valve Ring	1
12	97102040	Washer	1	32	971A5003	Hose Adaptor	1
★ 13	97102050	Pinion Gear	1	33	97105000	Disc Cover	1
14	97104000	Gear Shaft	1	34	MC003	Screw	4
15	KC003	Key	1	35	97105020	Disc Nut	1
16	B6301ZZ	Ball Bearing	1	36	832034	Disc Wheel	1
★ 17	97104030	Bevel Gear	1	37	832N04	Disc Nut	1
18	97104040	Washer	1	38	97105050	Stop Spanner	1
19	C10	Retaining Ring	1	39	832040	Disc Spanner	1
20	97104060	Nut	1				