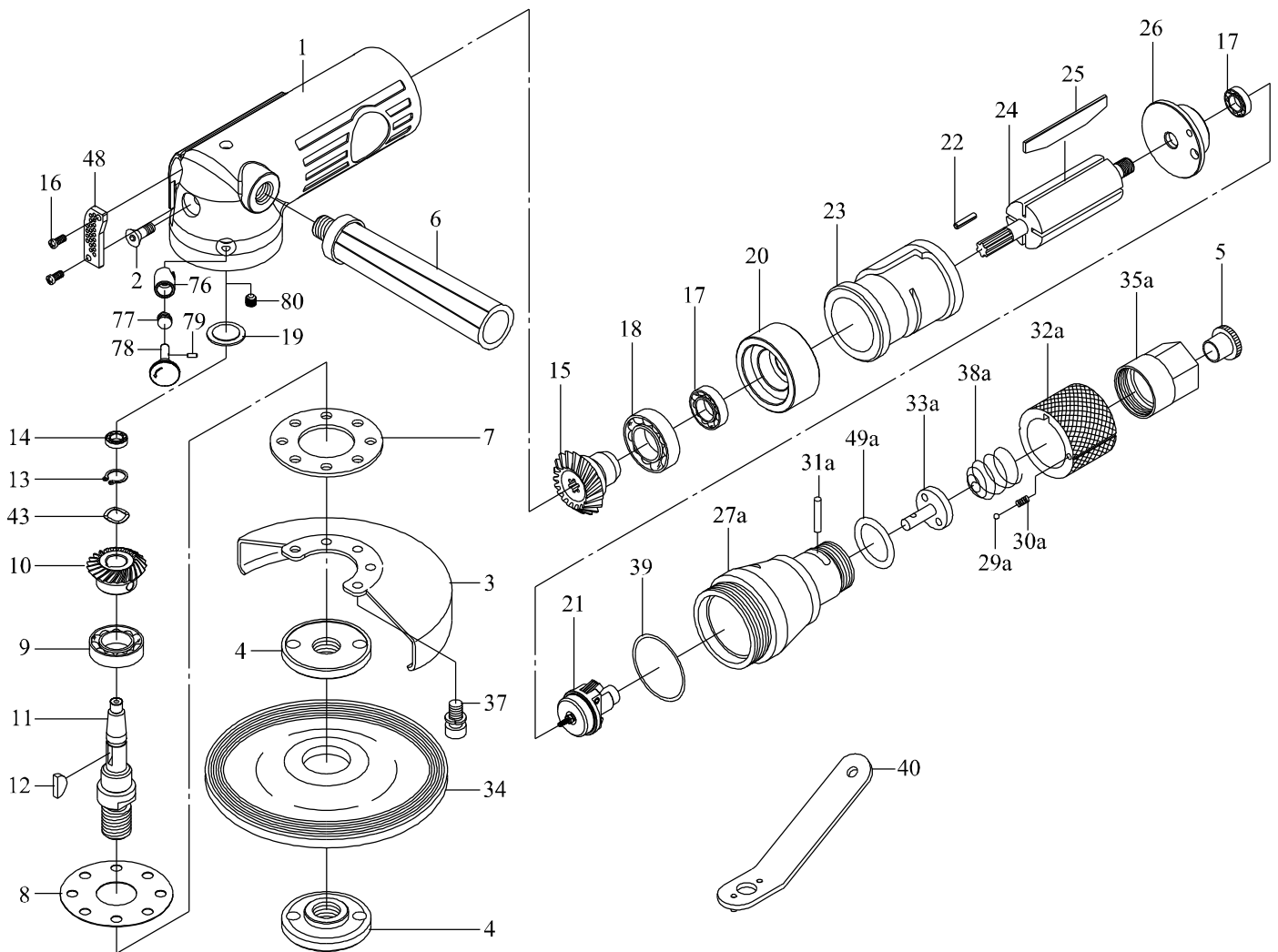


# GISON Pneumatic Tools

## GP-832S 4" Air Angle Grinder (Grip Lever 3/8-24)



### PARTS LIST

✳ :Consuming Part

Item No	Part No	Description	Qty	Item No	Part No	Description	Qty
1	832001B	Body	1	24	832024	Rotor	1
2	MT001	Screw	1	✳ 25	829019	Rotor Blade	4
3	832003	Disc Cover 4"	1	26	829018	Rear Plate	1
✳ 4	832N04	Disc Nut (3/8-24)	2	27a	832027	Governor Case	1
5	829046	Plastic Cover	1	29a	832029	Steel Ball	1
6	832006	Grip	1	30a	S027	Valve Spring	1
7	832007	Retainer	1	31a	P014	Valve Pin	1
8	832008	Gasket	1	32a	832032	Valve Ring	1
9	B6202ZZ	Ball bearing	1	33a	832033	Throttle Valve	1
✳ 10	832010B	Bevel Gear	1	34	832034	4" Disc Wheel	1
11	832011	Gear Shaft (3/8-24)	1	35a	832035	Valve Joint	1
12	KR002	Key	1	37	CAP005	Cap Screw	4
13	C10	Retaining Ring	1	38a	832038	Coil Spring	1
14	B626ZZ	Ball Bearing	1	39	OR032	O-Ring	1
✳ 15	832015	Pinion Gear	1	40	832040	Disc Spanner	1
16	TP3X10	Screw	2	43	WW10	Wave Washer	1
✳ 17	B608ZZ	Ball Bearing	2	48	832048	Exhaust Cover	1
18	B6201	Ball Bearing	1	49a	OR035	O-Ring	1
19	832019	Spacer	1	76	832077	Fix Bushing	1
20	829023	Front Plate	1	77	S055	Spring	1
21	832h01	Governor Assembly	1	78	832076	Fix Pin	1
22	SP025	Spring Pin	1	79	P013	Pin	1
23	829022	Cylinder	1	80	MS002	Screw	1