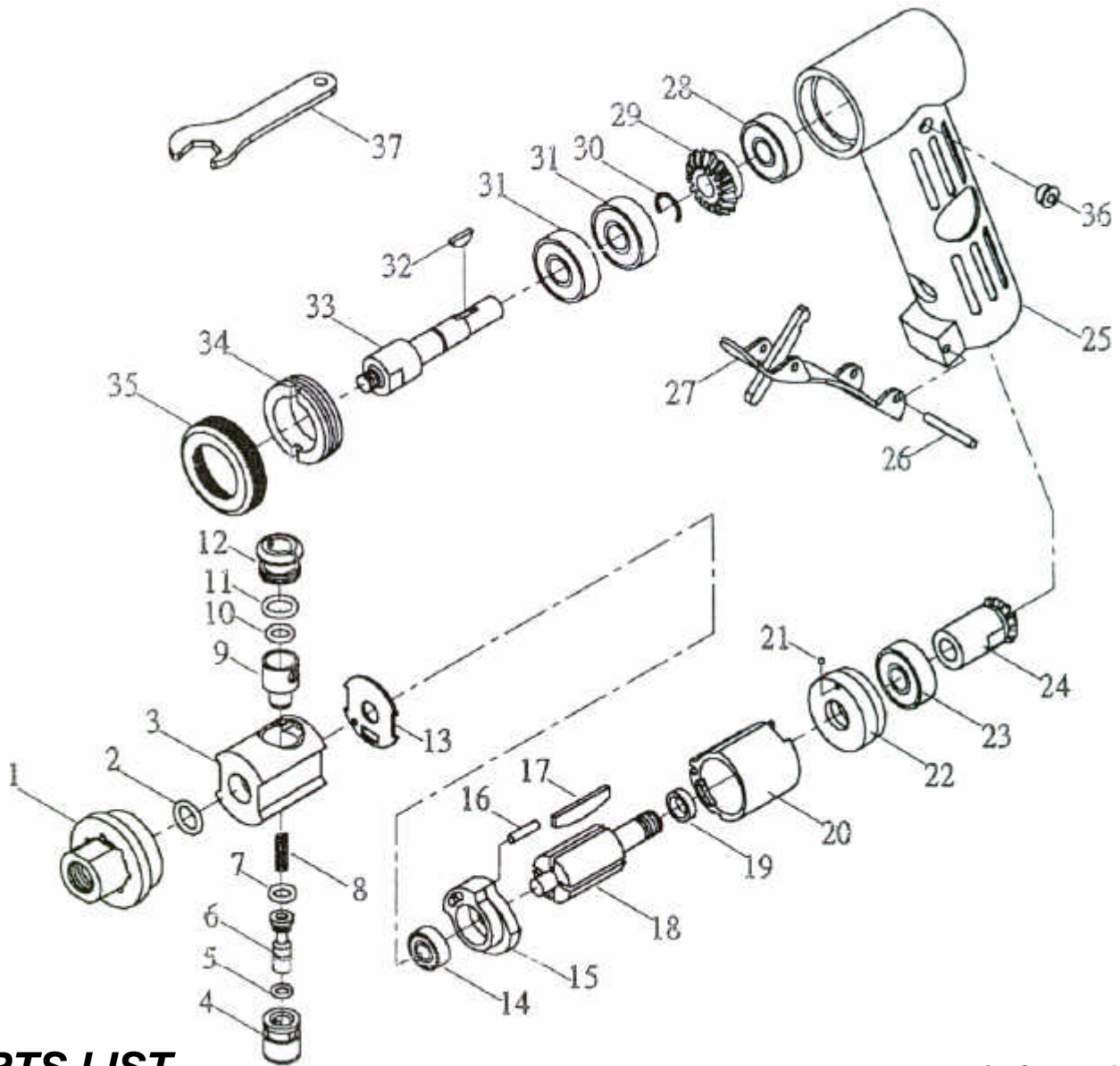




GISON Pneumatic Tools

GP-824MA 110° degree Air Sander Grinder



PARTS LIST

★ :Consuming Part

Item No.	Part No.	Description	Qty.	Item No.	Part No.	Description	Qty.
1	824MA01	Retainer	1	20	824MA20	Cylinder	1
2	824MA02	O-Ring	1	21	824MA21	Ball	1
3	824MA03	Valve Housing	1	22	824MA22	Front Plate	1
4	824MA04	Hush	1	23	824MA23	Ball Bearing	1
5	824MA05	O-Ring	1	24	824MA24	Bevel Gear	1
6	824MA06	Valve	1	25	824MA25	Housing	1
7	824MA07	O-Ring	1	26	824MA26	Spring Pin	1
8	824MA08	Spring	1	27	824MA27	Control Lever	1
9	824MA09	Speed	1	28	824MA28	Ball Bearing	1
10	824MA10	O-Ring	1	29	824MA29	Bevel Gear	1
11	824MA11	O-Ring	1	30	824MA30	Stop Ring	1
12	824MA12	Nut	1	31	824MA31	Ball Bearing	2
13	824MA13	Packing	1	32	824MA32	Key	1
14	824MA14	Ball Bearing	1	33	824MA33	Chuck Casing	1
15	824MA15	Reay Endplate	1	34	824MA34	Retainer	1
16	824MA16	Spring Pin	1	35	824MA35	Housing Cap	1
17	824MA17	Rotor Blade	4	36	824MA36	Oil Cap	1
18	824MA18	Rotor	1	37	824MA37	Wrench	1
19	824MA19	Washer	1				