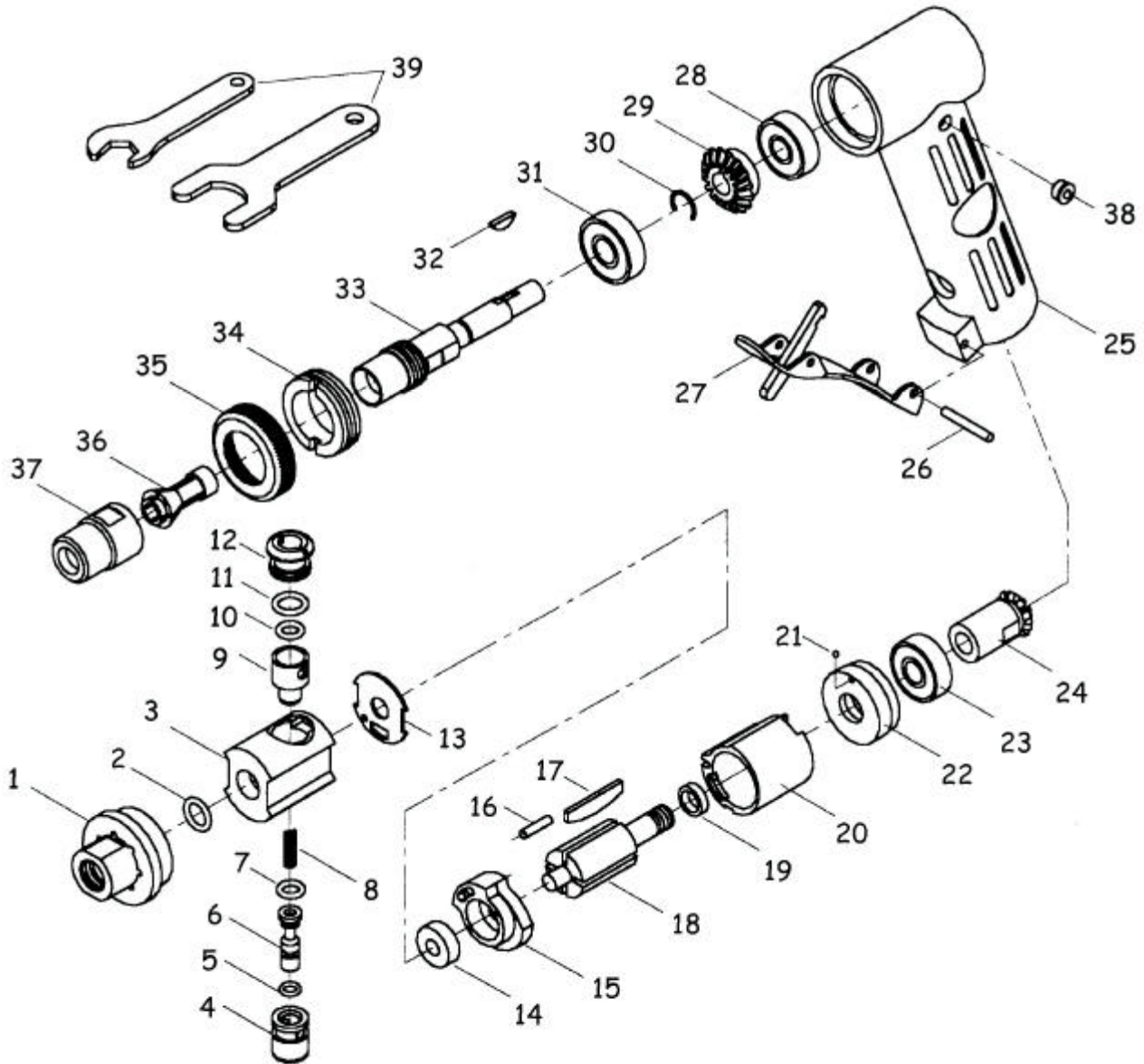




GISON Pneumatic Tools

GP-824M 110° degree Air Angle Die Grinder



PARTS LIST

✳ : Consuming Part

Item No.	Part No.	Description	Qty.	Item No.	Part No.	Description	Qty.
1	824M01-1	Retainer	1	20	824M20	Cylinder	1
	824M01-2	Exhaust Muffler		21	824M21	Ball	1
2	824M02	O-Ring	1	22	824M22	Front Plate	1
3	824M03	Valve Housing	1	23	824M23	Ball Bearing	1
4	824M04	Bush	1	24	824M24	Bevel Gear	1
5	824M05	O-Ring	1	25	824M25	Housing	1
6	824M06	Valve	1	26	824M26	Spring Pin	1
7	824M07	O-Ring	1	27	824M27	Control Lever	1
8	824M08	Spring	1	28	824M28	Ball Bearing	1
9	824M09	Speed	1	29	824M29	Bevel Gear	1
10	824M10	O-Ring	1	30	824M30	Stop Ring	1
11	824M11	O-Ring	1	31	824M31	Ball Bearing	1
12	824M12	Nut	1	32	824M32	Key	1
13	824M13	Packing	1	33	824M33	Chuck Casing	1
14	824M14	Ball Bearing	1	34	824M34	Retainer	1
15	824M15	Rear End plate	1	35	824M35	Housing Cap	1
16	824M16	Spring Pin	1	36	824M36	Collet	1
17	824M17	Rotor Blade	4	37	824M37	Clamp Nut	1
✳ 18	824M18	Rotor	1	38	824M38	Oil Cap	1
19	824M19	Washer	1	39	824M39	Wrench	2